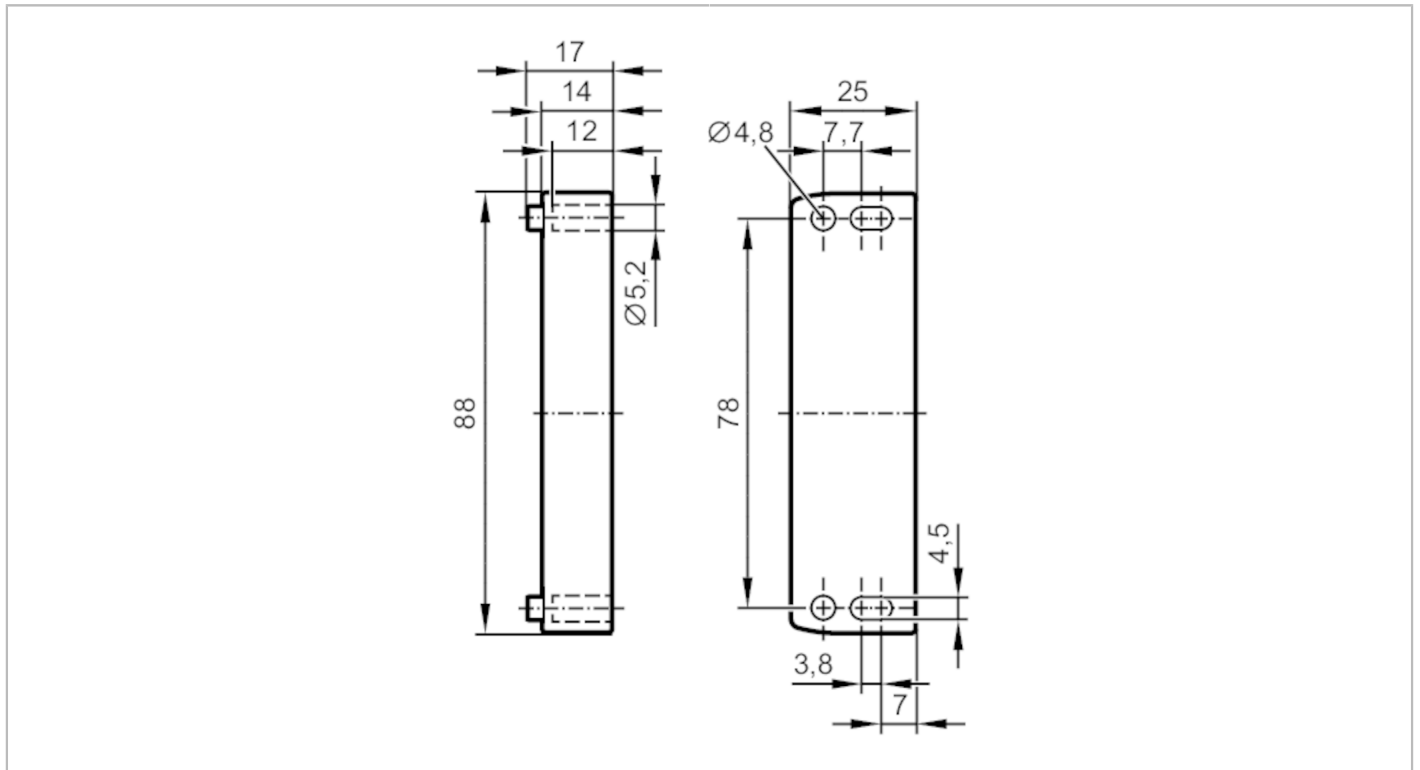


# E12586



## Spacer

SPACER FOR MN5xxS/E1104S



Application	
Application	for safety-related applications
Installation	for magnetic sensor MN5; for mounting on ferromagnetic metal
Operating conditions	
Ambient temperature [°C]	-25...80
Mechanical data	
Weight [g]	48
Materials	PA
Remarks	
Pack quantity	1 pcs.