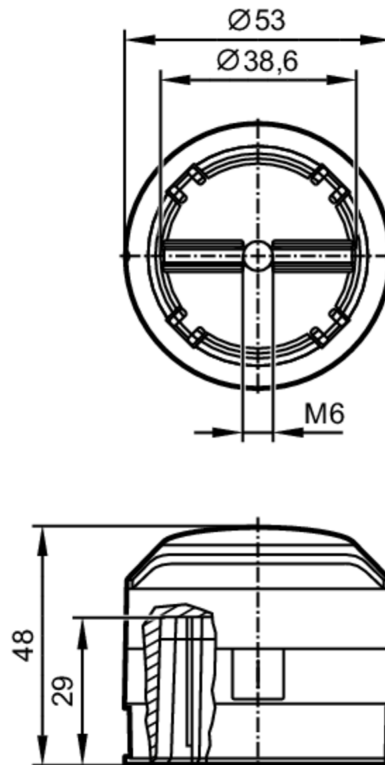


E12517



Target pucks for valve actuators

PUCK 53MM BASIC



Application

Design for mechanical interfaces to pneumatic actuators or manually-operated valves VDI / VDE 3845, ISO 5211 / DIN 3337

Mechanical data

Weight	[g]	60.5
Target puck diameter	[mm]	53
Hole spacing	[mm]	80
Shaft height of valve drive	[mm]	30
Materials		target puck: PA 6 black; metal parts: stainless steel
Tightening torque	[Nm]	2.5...3

Accessories

Items supplied half-round head screw: 1 x M6 x 16, stainless steel

Remarks

Pack quantity 1 pcs.