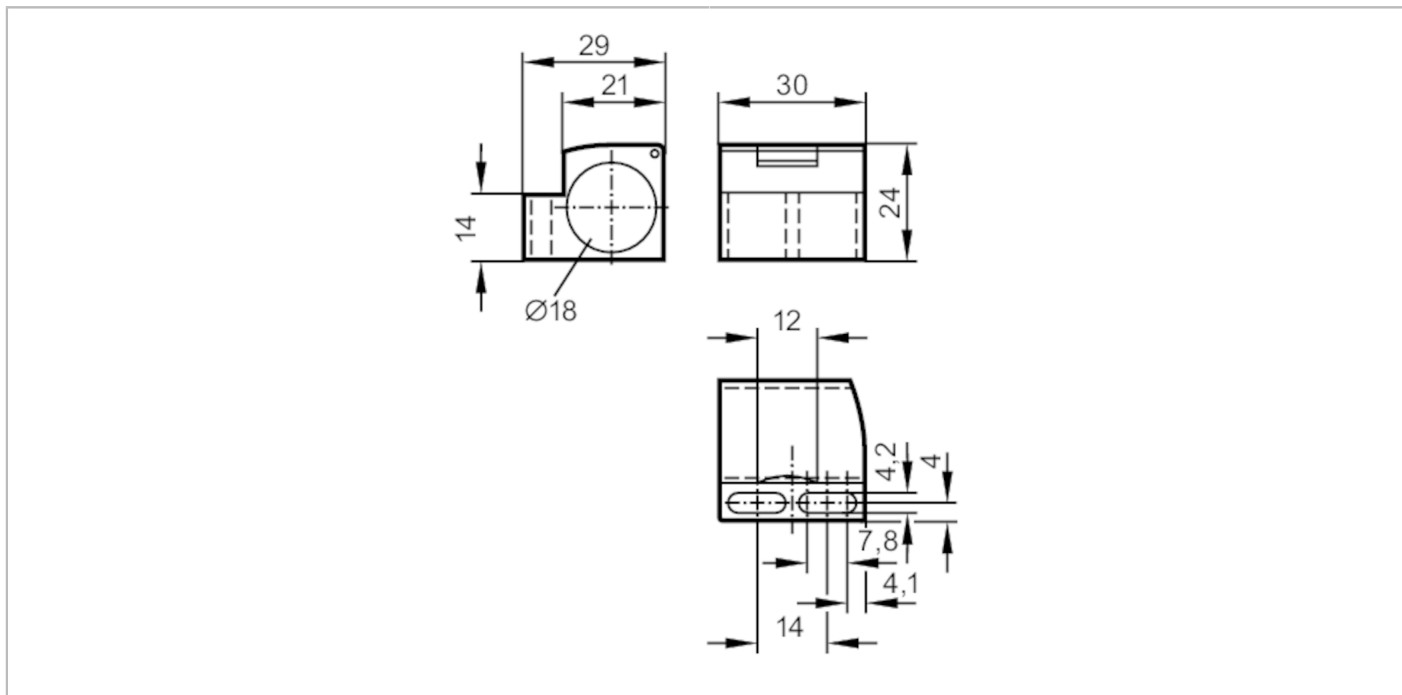


E11048



Mounting clamp for position sensors

MOUNTING CLAMP M18



| Application | |
|--------------------------|---------------|
| Design | with end stop |
| Operating conditions | |
| Ambient temperature [°C] | -25...85 |
| Mechanical data | |
| Weight [g] | 11.5 |
| Dimensions [mm] | 24 x 30 x 29 |
| Inside diameter [mm] | 18 |
| Materials | PC |
| Remarks | |
| Pack quantity | 1 pcs. |