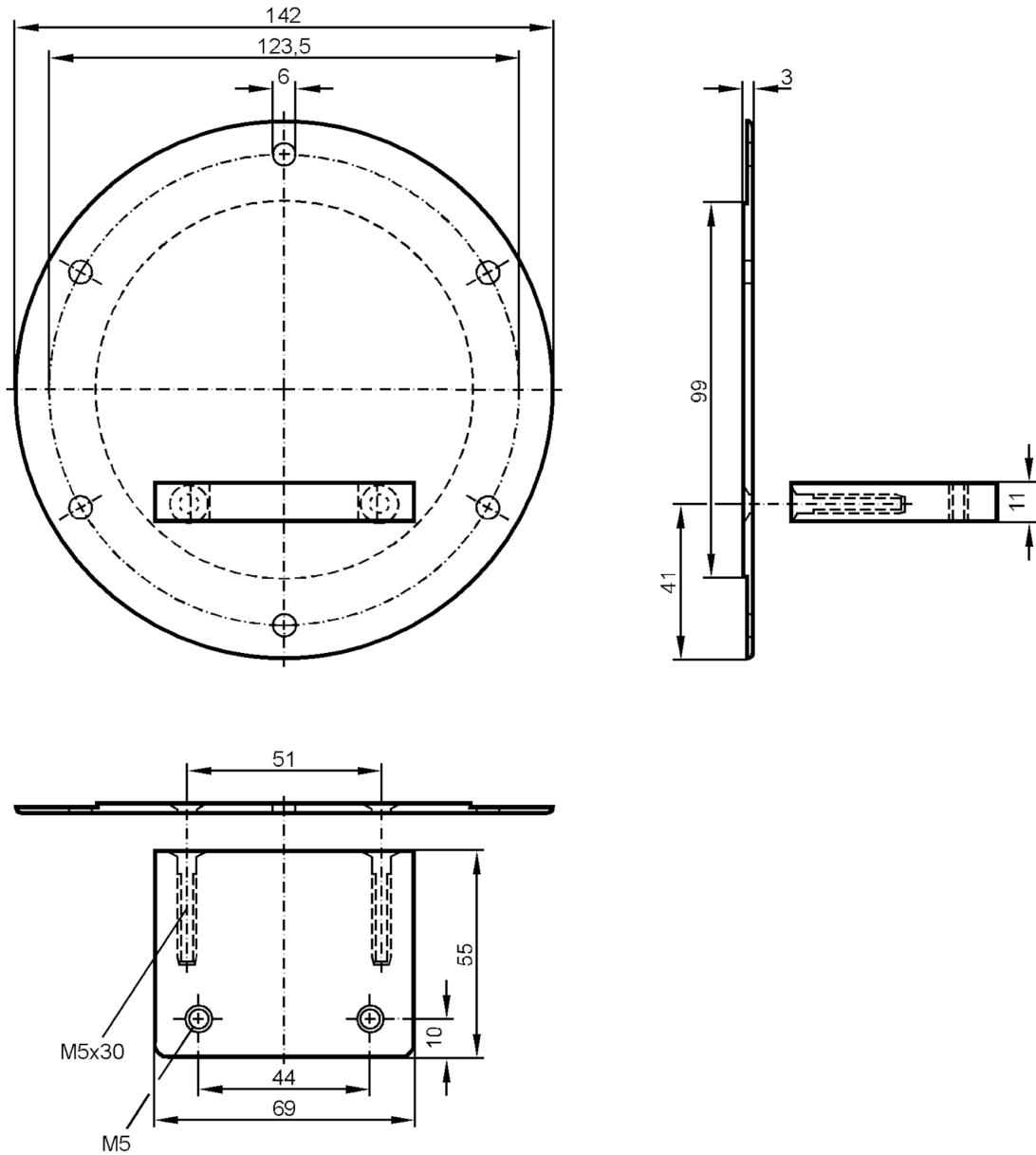


Tank wall mounting set for capacitive sensors

MOUNTING SET KB/KI

Article no longer available - archive entry

Discontinuation date: 31.03.2017



Application

Design	for capacitive level monitoring
Installation	at silo walls and containers

Mechanical data

Weight	[g]	105.2
Materials	PC transparent; clip block: ABS black	

Accessories

Accessories (supplied)	screws: 2 x M5 x 25
------------------------	---------------------

E10332



Tank wall mounting set for capacitive sensors

MOUNTING SET KB/KI

Remarks	
Notes	discontinued article
Pack quantity	1 pcs.

Article no longer available - archive entry

Discontinuation date: 31.03.2017