

E10095

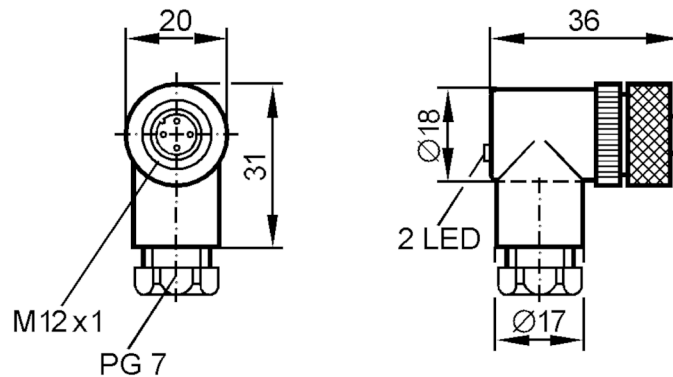


Wirable socket

SDOAH042ZDSFKPG

Article no longer available - archive entry

replaced by: E11510



Electrical data

Operating voltage [V] 10...30 DC

Outputs

Electrical design NPN

Operating conditions

Ambient temperature [°C] -25...90

Protection IP 67

Mechanical data

Dimensions [mm] 36 x 20 x 31

Materials PA

Material nut diecast zinc, nickel-plated

Displays / operating elements

Display	switching status	1 x LED, yellow
	operation	1 x LED, green

Remarks

Pack quantity 1 pcs.

Electrical connection

terminals: ...0.75 mm²; Cable gland: PG 7

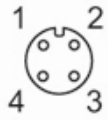
Electrical connection - socket

Connector: 1 x M12, angled; Moulded body: PA; Locking: diecast zinc, nickel-plated

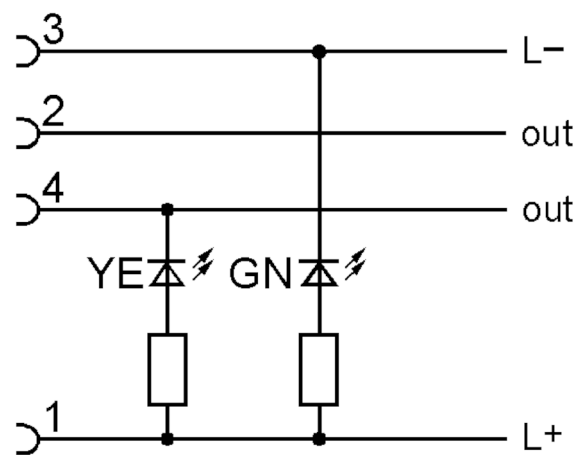
E10095

Wirable socket

SDOAH042ZDSFKPG



Connection



Article no longer available - archive entry

replaced by: E11510