

DX2002

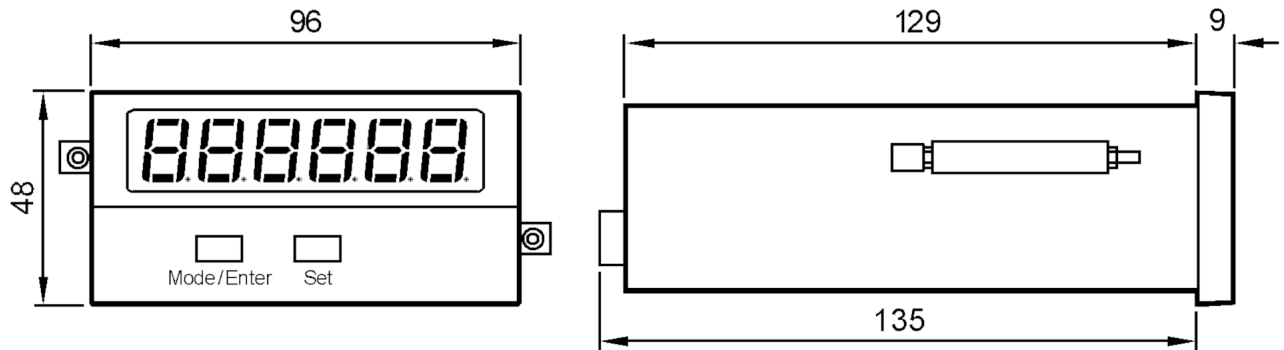


Multifunction display for monitoring revolution, speed and time

DISPLAY/FX360/ANALOG OUT

Article no longer available - archive entry

replaced by: DX2022; discontinued article – Discontinuation date: 31.03.2017



Application

Application

universal evaluation and display for all physical units which can be derived from pulse sequences

Electrical data

Frequency AC	[Hz]	50...60
Operating voltage tolerance	[%]	33...58
Operating voltage	[V]	230 / 115 AC / 24 DC
Current consumption	[mA]	120 (18 V); 95 (24 V); 80 (30 V)
Auxiliary energy for sensors DC	[V]	24; (± 15 %, 150 mA)

Inputs / outputs

Number of inputs and outputs Number of analogue outputs: 1

Outputs

Number of analogue outputs	1
Analogue current output	[mA] 4...20
Analogue voltage output	[V] 0...10

Operating conditions

Ambient temperature	[°C] 0...45
Storage temperature	[°C] -25...75
Protection	IP 65; (on the front)
Protection rating terminals	IP 20

DX2002

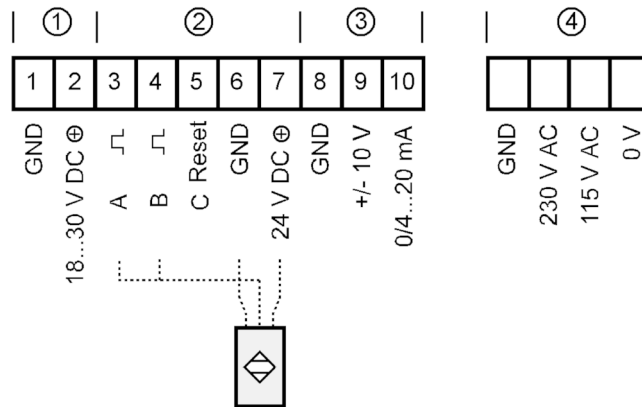


Multifunction display for monitoring revolution, speed and time

DISPLAY/FX360/ANALOG OUT

Tests / approvals		
EMC	EN 50081-1	
	EN 61000-6-2	
MTTF [years]		80
Mechanical data		
Weight [g]		580.8
Materials		Noryl UL94-V-0
Displays / operating elements		
Display		7-segment LED display, orange 6-digit 15 mm
Electrical connection		
screw terminals, DC: 10 x ...1.5 mm ²		
screw terminals, AC: 4 x ...2.5 mm ²		

Connection



Article no longer available - archive entry

replaced by: DX2022; discontinued article – Discontinuation date: 31.03.2017