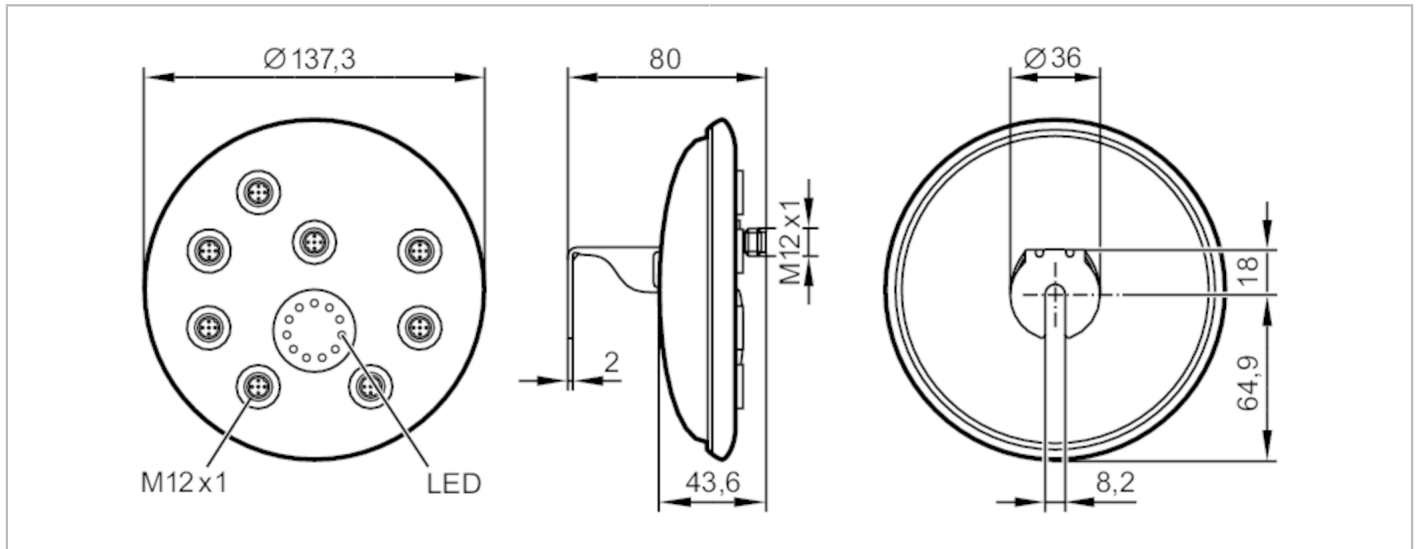


AC2904



AS-Interface ProcessLine module

ProcessLine 4DI 3DOT IP69K



Electrical data

Operating voltage	[V]	26.5...31.6 DC
Max. current consumption from AS-i	[mA]	240
Max. current load total	[A]	2.1
Integrated watchdog		yes

Inputs / outputs

Number of inputs and outputs	Number of digital inputs: 4; Number of digital outputs: 3
------------------------------	---

Inputs

Number of digital inputs	4
Input circuit of digital inputs	PNP
Sensor supply of the inputs	AS-i
Voltage supply	[V] 18...30
Max. total current rating of inputs	[mA] 200
Input current High	[mA] 6...10
Input current Low	[mA] 0...2
Min. switching level high signal	[V] 11
Digital inputs protected against short circuits	yes

Outputs

Number of digital outputs	3
Circuit	PNP
Voltage range DC	[V] 10...30; (to PELV)
Max. current load per output	[mA] 700; (utilisation category DC-13 (control of electromagnets): 20 W (IEC 60947-5-1))
Short-circuit proof	yes
Electrically separated	yes

AC2904



AS-Interface ProcessLine module

ProcessLine 4DI 3DOT IP69K

Operating conditions					
Ambient temperature	[°C]	-5...70			
Protection		IP 69K			
Tests / approvals					
EMC		EN 50295			
MTTF	[years]	160			
AS-i classification					
AS-i version		2.1			
Extended addressing mode possible		yes			
AS-i profile		S-7.A.E			
AS-i I/O configuration	[hex]	7			
AS-i ID code	[hex]	A.E			
AS-i certificate		101107			
Assignment of the data bits	data bit	D0	D1	D2	D3
	input	1	2	3	4
	socket	I-1/2	I-1/2 I-2	I-3/4	I-3/4 I-4
	pin	4	2 4	4	2 4
	Output	1	2	3	-
	socket	O-1	O-2	O-3	-
	pin	4	4	4	-
Mechanical data					
Weight	[g]	632			
Dimensions	[mm]	137.3 x 80 x 137.3			
Materials		stainless steel; PC; O-ring: EPDM			
Displays / operating elements					
Display	operation	LED, green			
	errors	LED, red			
	function	LED, yellow			
Accessories					
Accessories (optional)	Torque wrench, E70390				
	Protective cap: M12, E70297				
	Flat cable splitter box, E70354				
Remarks					
Remarks	Inputs and outputs must be electrically isolated.				
	Do not connect any of the following points to an external potential: I-, I+, I-1/2, I-2, I-3/4, I-4				
	The connections are electrically connected with the AS-i cable. The round cable connected to AS-i/AUX should not be longer than 2 m.				
Pack quantity		1 pcs.			

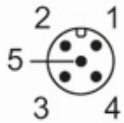
AS-Interface ProcessLine module

ProcessLine 4DI 3DOT IP69K

Electrical connection - AS-i

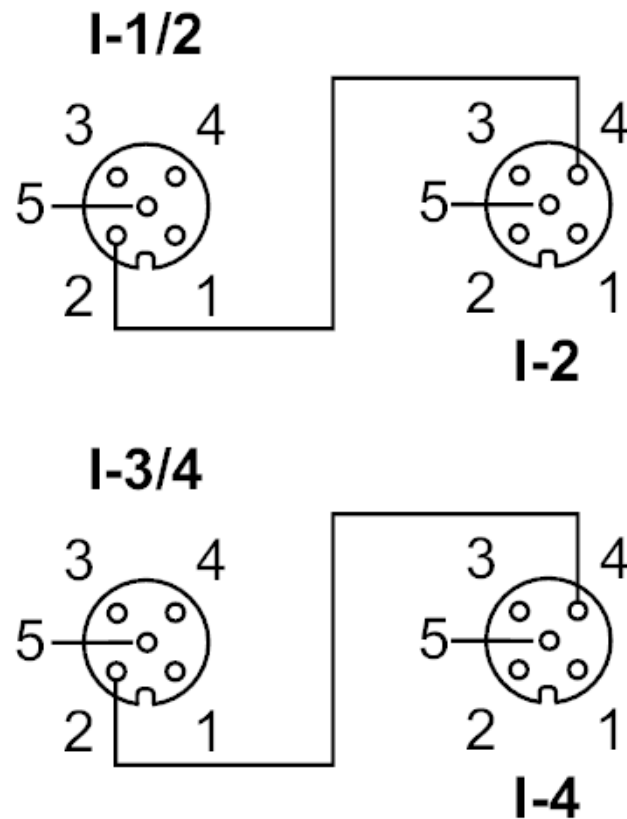
1	AS-i+
2	0 V
3	AS-i -
4	+24 V
5	functional earth

Connector: M12



Electrical connection - Inputs

Connection



1	Sensor supply L+
3	Sensor supply L-
5	functional earth

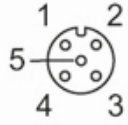
Connector: M12

AC2904



AS-Interface ProcessLine module

ProcessLine 4DI 3DOT IP69K



Electrical connection - Outputs

- | | |
|---|--------------------|
| 3 | external voltage - |
| 4 | switching output + |
| 5 | functional earth |

Connector: M12

