

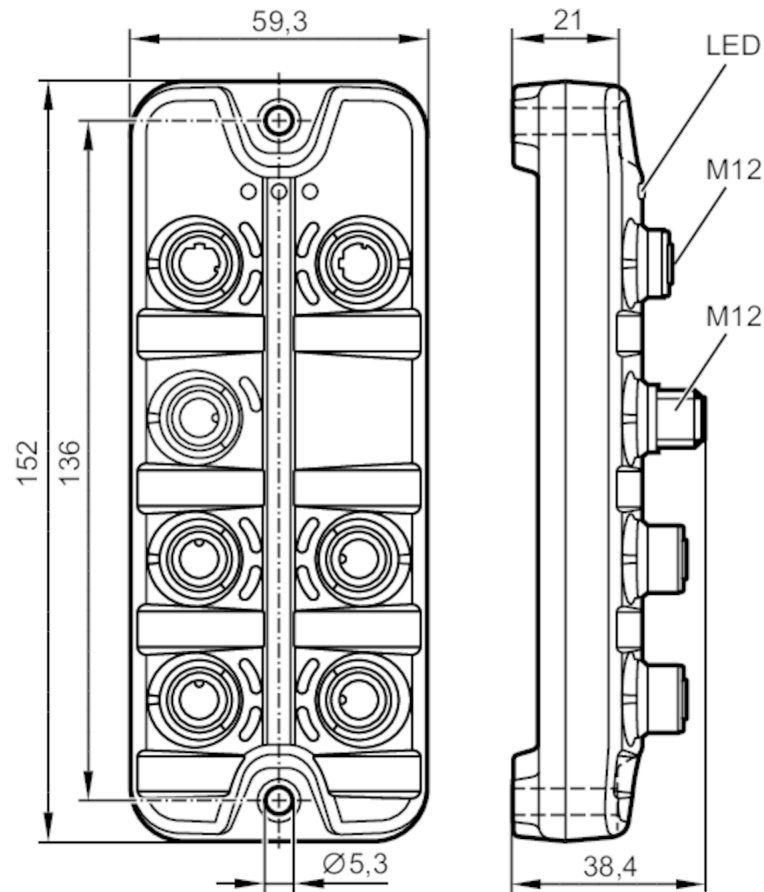
ZZ0619



IO-Link master starter kit - MVQ101 - Position sensor for quarter-turn actuators

MVQ STARTER KIT IO-LINK

article can only be ordered once per customer



Mechanical data

Weight [g] 950

Accessories

Items supplied	Position sensor für Schwenkantriebe, IO-Link, MVQ101
	IO-Link master StandardLine, PROFINET, AL1100
	Power supply, 230 V / 24 V (M12), E80121
	Ethernet cable M12 - RJ45; 0,5 m, E12490
	Connection cable M12 - M12; 0,6 m, EVC041
	Parameter setting software, LR DEVICE (USB), QA0011

Remarks

Remarks	For additional information, please refer to the data sheets and installation instructions for the components listed above.
Notes	article can only be ordered once per customer
Pack quantity	1 pcs.