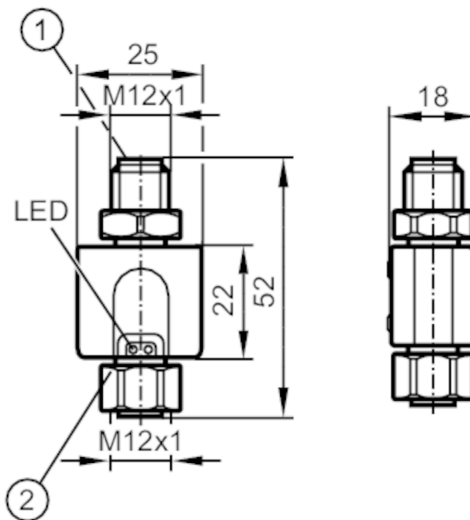


# TP9237



## Evaluation unit for PT100/PT1000 temperature sensors

TP- CEC -B-DVG/US/



- 1 connection for voltage supply and output signals  
2 connection for temperature sensor



### Product characteristics

Number of inputs and outputs	Number of analogue outputs: 1	
Measuring range	-50...300 °C	-58...572 °F

### Application

Special feature	Gold-plated contacts	
Application	for Pt100 and Pt1000 measuring elements	

### Electrical data

Operating voltage	[V]	18...32 DC
Protection class		III
Reverse polarity protection		yes
Power-on delay time	[s]	1
Integrated watchdog		yes

### Inputs / outputs

Number of inputs and outputs	Number of analogue outputs: 1	
------------------------------	-------------------------------	--

### Outputs

Total number of outputs	1	
Output signal	analogue signal; IO-Link; (configurable)	
Number of analogue outputs	1	
Analogue voltage output	[V]	0...10
Min. load resistance	[Ω]	2000
Short-circuit protection		yes
Type of short-circuit protection		pulsed
Overload protection		yes

### Measuring/setting range

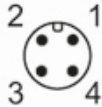
Measuring range	-50...300 °C	-58...572 °F
Factory setting	0...100 °C	

# TP9237



## Evaluation unit for PT100/PT1000 temperature sensors

TP- CEC -B-DVG/US/

Accuracy / deviations		
Precision analogue output [K]	$\pm 0,3 + (\pm 0,1 \% \text{ MS})$	
Temperature coefficient [% of the span / 10 K]	0,1	
Response times		
Max. measuring/display cycle [ms]	100	
Interfaces		
Communication interface	IO-Link	
Transmission type	COM2 (38,4 kBaud)	
IO-Link revision	1.1	
Operating conditions		
Ambient temperature [°C]	-25...70	
Storage temperature [°C]	-40...85	
Protection	IP 67	
Tests / approvals		
EMC	EN 61326-1	
Shock resistance	DIN IEC 68-2-27	50 g (11 ms)
Vibration resistance	DIN IEC 68-2-6	20 g (10...2000 Hz)
MTTF [years]	505.11	
Mechanical data		
Weight [g]	40	
Dimensions [mm]	M12 x 1	
Thread designation	M12 x 1	
Materials	PA; PET	
Sealing material	FKM	
Remarks		
Remarks	operating voltage "supply class 2" according to cULus MS = set measuring span	
Pack quantity	1 pcs.	
Electrical connection		
Connector: 1 x M12; coding: A; Moulded body: TPU; Locking: stainless steel (1.4404 / 316L); Sealing: FKM; Contacts: gold-plated		
		

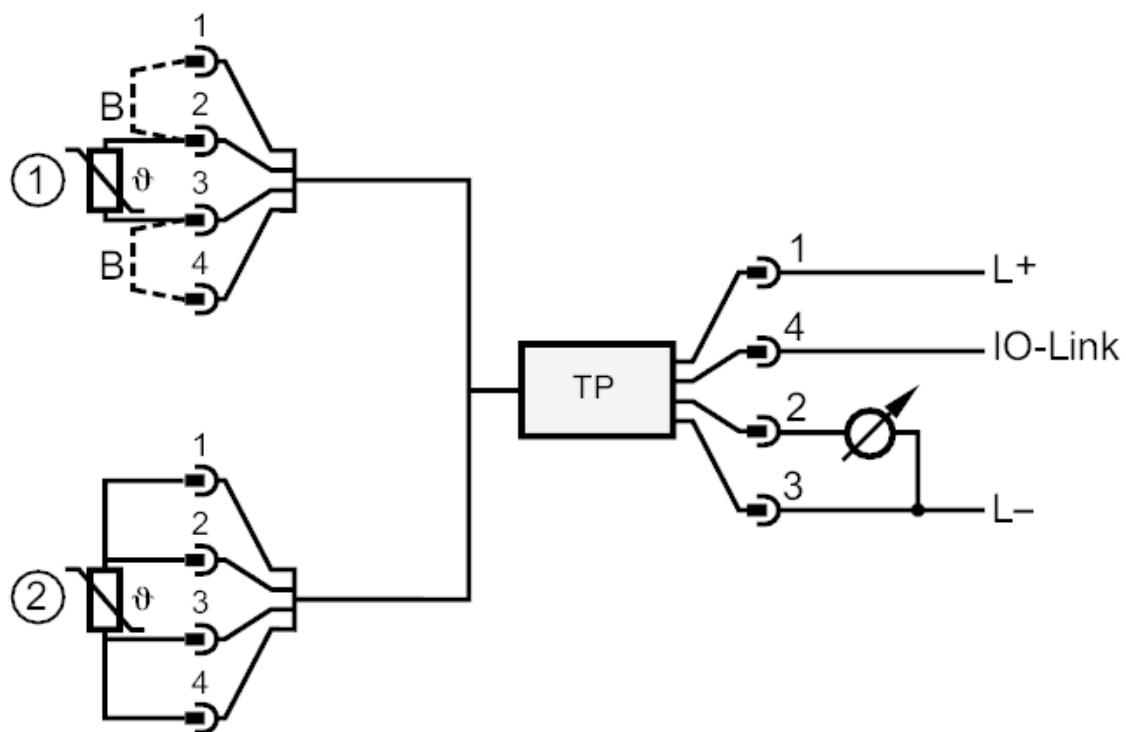
# TP9237



## Evaluation unit for PT100/PT1000 temperature sensors

TP- CEC -B-DVG/US/

### Connection



- 1: two-wire sensor
- 2: four-wire sensor
- B: link