

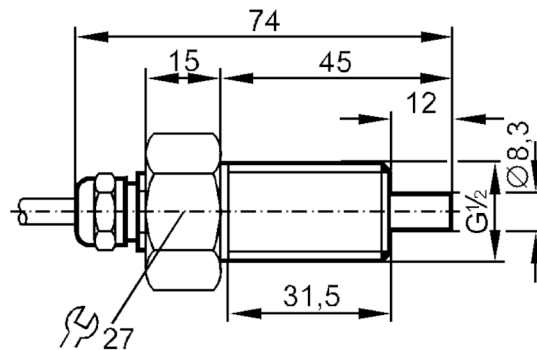
ST3406



Flow sensor for connection to an evaluation unit

STR12AACE1

Article no longer available - archive entry



Product characteristics

Process connection G 1/2 external thread

Application

Application Ex zone 1

Medium temperature [°C] -25...80

Pressure rating [bar] 5

Liquids

Application Ex zone 1

Medium temperature [°C] -25...80

Electrical data

Connection to control monitor VS 0100 Ex

Measuring/setting range

Liquids

Setting range [cm/s] 3...300

Greatest sensitivity [cm/s] 3...60

Accuracy / deviations

Temperature gradient [K/min] 7

Response times

Response time [s] 2...20

Liquids

Response time [s] 2...20

Operating conditions

Protection IP 67

ST3406



Flow sensor for connection to an evaluation unit

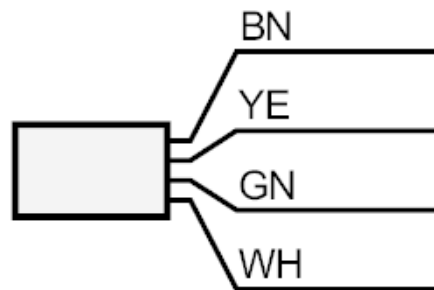
STR12AACE1

Mechanical data	
Housing	threaded type
Materials	PTFE
Process connection	G 1/2 external thread

Remarks	
Pack quantity	1 pcs.

Electrical connection	
Cable: 2 m, Silflex-PUR; Maximum cable length: 100 m; 4 x 0.25 mm ²	

Connection



	Core colours :
BN =	brown
GN =	green
WH =	white
YE =	yellow