

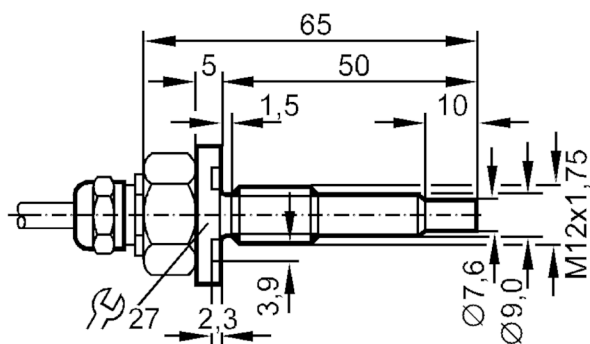
# ST1306



## Flow sensor for connection to an evaluation unit

STM12ZBB/10M

Article no longer available - archive entry



### Product characteristics

Process connection M12 x 1,75

### Application

Application high-temperature range

Media Liquids; Gases

Pressure rating [bar] 30

### Liquids

Application high-temperature range

Medium temperature [°C] 0...120

### Gases

Medium temperature [°C] 0...100

### Electrical data

Connection to control monitor VS 0100

### Measuring/setting range

#### Liquids

Setting range [cm/s] 3...300

Greatest sensitivity [cm/s] 3...60

#### Gases

Setting range [cm/s] 200...1500

Greatest sensitivity [cm/s] 200...800

### Accuracy / deviations

Temperature gradient [K/min] 15

### Response times

Response time [s] 1...10

# ST1306



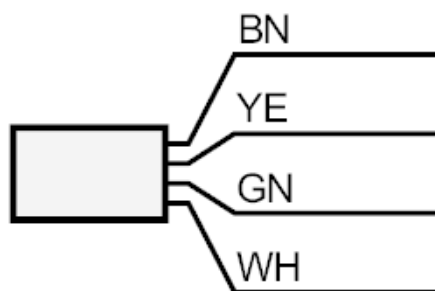
## Flow sensor for connection to an evaluation unit

STM12ZBB/10M

Liquids	
Response time [s]	1...10
Gases	
Response time [s]	1...10
Operating conditions	
Protection	IP 67
Mechanical data	
Housing	threaded type
Dimensions [mm]	M12 x 1.75
Thread designation	M12 x 1.75
Materials	stainless steel (1.4571/316Ti)
Process connection	M12 x 1,75
Remarks	
Pack quantity	1 pcs.

**Electrical connection**  
Cable: 10 m, PUR; Maximum cable length: 100 m; 4 x 0.25 mm<sup>2</sup>

### Connection



Core colours :

BN = brown  
GN = green  
WH = white  
YE = yellow