

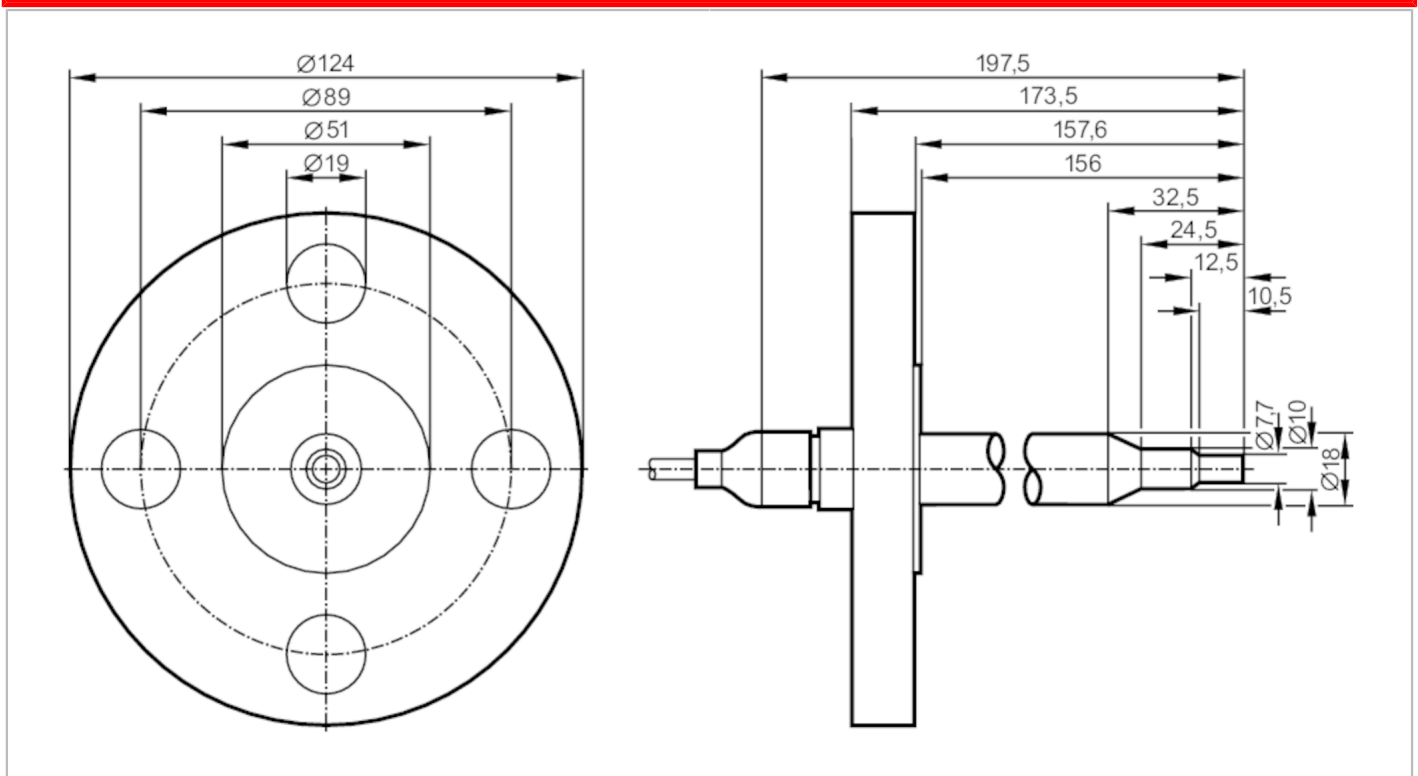
# SF521A



## Flow sensor for connection to an evaluation unit

SFG18ABB/2G /6M

Article no longer available - archive entry



Product characteristics	
Probe length L	[mm] 156
Process connection	ANSIB 16.5 (1 in; 300 lb/sq.in)
Application	
Application	high-temperature range
Media	Liquids; Gases
Medium temperature	[°C] -20...70
Pressure rating	[bar] 30
Electrical data	
Connection to control monitor	VS2000 Exi (PTB 01 ATEX 2075)
Measuring/setting range	
Probe length L	[mm] 156
Liquids	
Setting range	[cm/s] 3...300
Greatest sensitivity	[cm/s] 3...60
Gases	
Setting range	[cm/s] 200...2000
Greatest sensitivity	[cm/s] 200...800
Accuracy / deviations	
Temperature gradient	[K/min] 15

# SF521A



## Flow sensor for connection to an evaluation unit

SFG18ABB/2G /6M

Response times	
Response time [s]	1...10
Operating conditions	
Ambient temperature [°C]	-20...70
Protection	IP 67
Tests / approvals	
ATEX marking	⊕ II 2G Ex ia IIC T4 Gb
Shock resistance	DIN IEC 68-2-27 40 g (11 ms)
Vibration resistance	DIN IEC 68-2-6 10 g (55...2000 Hz)
MTTF [years]	8272
Mechanical data	
Weight [g]	2.665
Housing	cylindrical
Dimensions [mm]	Ø 18
Materials	stainless steel (1.4404 / 316L)
Materials (wetted parts)	stainless steel (1.4404 / 316L)
Process connection	ANSIB 16.5 (1 in; 300 lb/sq.in)
Remarks	
Remarks	In principle, the type test according to 94/9/EC (ATEX) only takes atmospheric conditions into account (0.8...1.1 bar). For pressures outside this range use must be assessed and approved by the user. Adhere to the operating instructions and the type test certificate.
Pack quantity	1 pcs.

# SF521A



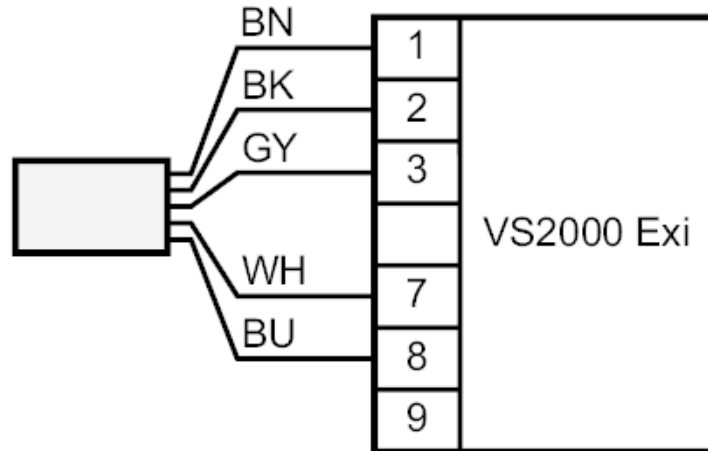
## Flow sensor for connection to an evaluation unit

SFG18ABB/2G /6M

### Electrical connection

Cable: 6 m, TPE-S; Maximum cable length: 100 m; 5 x 0.34 mm<sup>2</sup>

### Connection



Core colours :

BN =	brown
BU =	blue
BK =	black
WH =	white
GY =	grey

Article no longer available - archive entry