

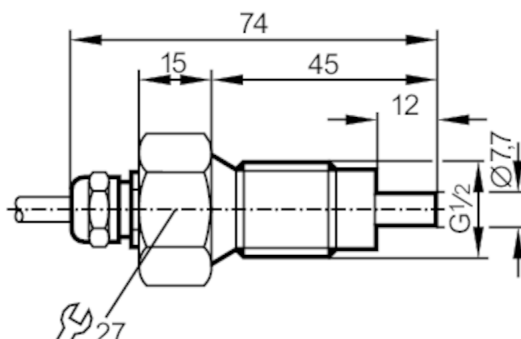
# SF3001



## Flow sensor for connection to an evaluation unit

SFR12ABA/6M/PH

Article no longer available - archive entry



### Product characteristics

Process connection G 1/2 external thread

### Application

Application high-temperature range

Media Liquids; Gases

Medium temperature [°C] -25...80

Pressure rating [bar] 30

### Liquids

Application high-temperature range

Medium temperature [°C] -25...80

### Gases

Medium temperature [°C] -25...80

### Electrical data

Connection to control monitor VS 0200

### Measuring/setting range

#### Liquids

Setting range [cm/s] 3...300

Greatest sensitivity [cm/s] 3...60

#### Gases

Setting range [cm/s] 200...2000

Greatest sensitivity [cm/s] 200...800

### Accuracy / deviations

Temperature gradient [K/min] 15

### Response times

Response time [s] 1...10

#### Liquids

Response time [s] 1...10

#### Gases

Response time [s] 1...10

# SF3001

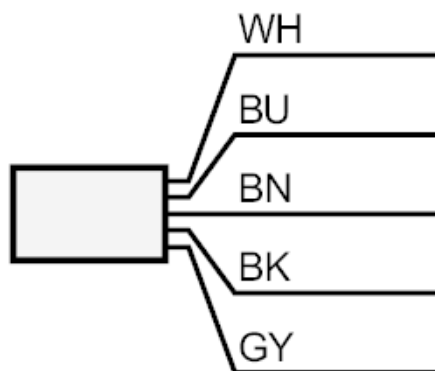


## Flow sensor for connection to an evaluation unit

SFR12ABA/6M/PH

Operating conditions	
Protection	IP 67
Mechanical data	
Housing	threaded type
Materials	stainless steel (1.4305 / 303)
Materials (wetted parts)	stainless steel (1.4305 / 303)
Process connection	G 1/2 external thread
Accessories	
Items supplied	sealings: 2 x AMF 30
Remarks	
Pack quantity	1 pcs.
Electrical connection	
Cable: 6 m, PUR / PVC; 5 x 0.34 mm <sup>2</sup>	

### Connection



Core colours :

BN =	brown
BU =	blue
BK =	black
WH =	white
GY =	grey