

SF1210



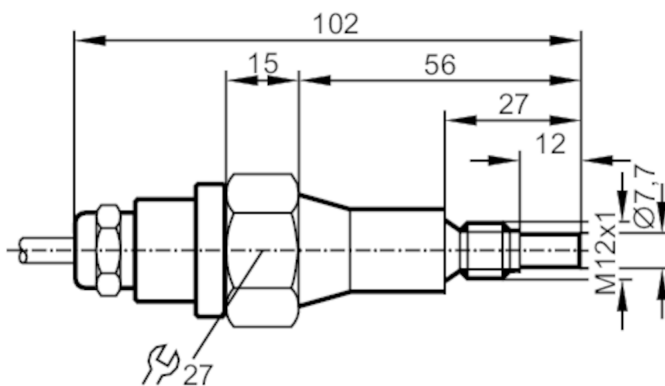
Flow sensor for connection to an evaluation unit

SFM12ABBE0

Article no longer available - archive entry

Alternative articles: SF111A

When selecting an alternative article and accessories please note that technical data may differ!



Product characteristics

Process connection	M12 x 1
--------------------	---------

Application

Application	Ex zone 0
Medium temperature [°C]	-20...60
Pressure rating [bar]	300

Liquids

Application	Ex zone 0
Medium temperature [°C]	-20...60

Gases

Medium temperature [°C]	-20...60
-------------------------	----------

Electrical data

Connection to control monitor	VS 0200 Ex i
-------------------------------	--------------

Measuring/setting range

Liquids

Setting range [cm/s]	3...300
Greatest sensitivity [cm/s]	3...60

Gases

Setting range [cm/s]	200...2000
Greatest sensitivity [cm/s]	200...800

Accuracy / deviations

Temperature gradient [K/min]	15
------------------------------	----

Response times

Response time [s]	1...10
-------------------	--------

Liquids

Response time [s]	1...10
-------------------	--------

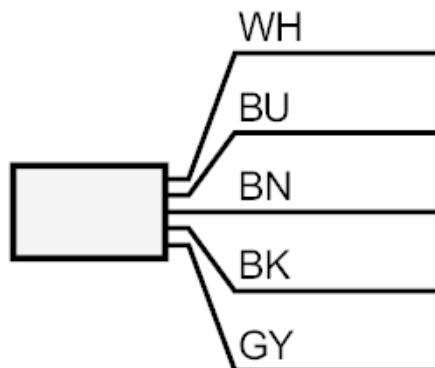
SF1210



Flow sensor for connection to an evaluation unit

SFM12ABBE0

Gases	
Response time [s]	1...10
Operating conditions	
Protection	IP 67
Mechanical data	
Housing	threaded type
Dimensions [mm]	M12 x 1
Thread designation	M12 x 1
Materials	stainless steel (1.4571/316Ti)
Materials (wetted parts)	stainless steel (1.4571/316Ti)
Process connection	M12 x 1
Remarks	
Pack quantity	1 pcs.
Electrical connection	
Cable: 2 m, TPE-S; Maximum cable length: 100 m; 5 x 0.34 mm ²	
Connection	



Core colours :

BN =	brown
BU =	blue
BK =	black
WH =	white
GY =	grey