

SF0705



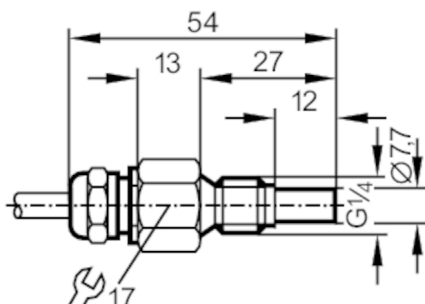
Flow sensor for connection to an evaluation unit

SFR14ABBE1

Article no longer available - archive entry

Alternative articles: SF221A

When selecting an alternative article and accessories please note that technical data may differ!



Product characteristics

Process connection G 1/4 external thread

Application

Application Ex zone 1

Medium temperature [°C] -25...80

Pressure rating [bar] 30

Liquids

Application Ex zone 1

Medium temperature [°C] -25...80

Gases

Medium temperature [°C] -25...80

Electrical data

Connection to control monitor VS 0200 Exi

Measuring/setting range

Liquids

Setting range [cm/s] 3...300

Greatest sensitivity [cm/s] 3...60

Gases

Setting range [cm/s] 200...2000

Greatest sensitivity [cm/s] 200...800

Accuracy / deviations

Temperature gradient [K/min] 15

Response times

Response time [s] 1...10

Liquids

Response time [s] 1...10

Gases

Response time [s] 1...10

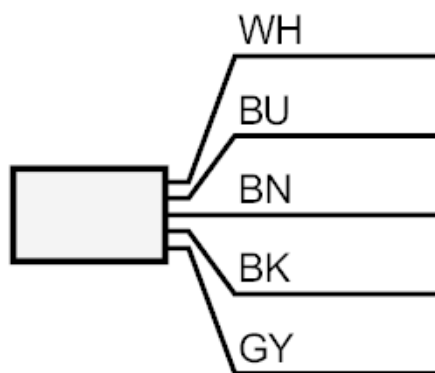
SF0705



Flow sensor for connection to an evaluation unit

SFR14ABBE1

| Operating conditions | |
|--|--------------------------------|
| Protection | IP 67 |
| Mechanical data | |
| Housing | threaded type |
| Materials | stainless steel (1.4571/316Ti) |
| Materials (wetted parts) | stainless steel (1.4571/316Ti) |
| Process connection | G 1/4 external thread |
| Remarks | |
| Pack quantity | 1 pcs. |
| Electrical connection | |
| Cable: 2 m, TPE-S; Maximum cable length: 100 m; 5 x 0.34 mm ² | |
| Connection | |



Core colours :

| | |
|------|-------|
| BN = | brown |
| BU = | blue |
| BK = | black |
| WH = | white |
| GY = | grey |