

OW5011



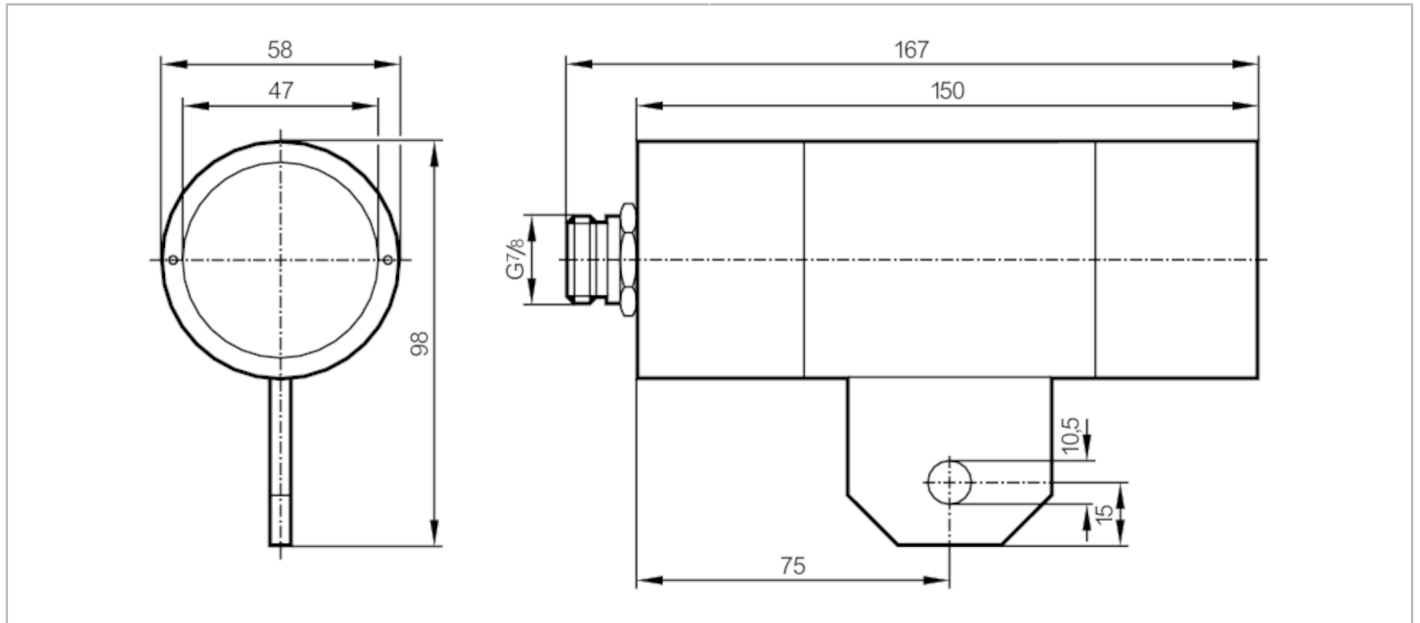
Infrared temperature sensor

OWS-7520-BPKG

Article no longer available - archive entry

Alternative articles: TW7001 + E35065

When selecting an alternative article and accessories please note that technical data may differ!



Product characteristics

Housing		cylindrical
Dimensions	[mm]	Ø 58 / L = 150

Electrical data

Operating voltage	[V]	10...55 DC
Current consumption	[mA]	< 20
Protection class		II
Reverse polarity protection		yes

Outputs

Electrical design		PNP
Max. voltage drop switching output DC	[V]	2.5
Permanent current rating of switching output DC	[mA]	400
Switching frequency DC	[Hz]	1000
Short-circuit protection		yes
Type of short-circuit protection		pulsed
Overload protection		yes

Detection zone

Detection range hysteresis	[%]	1...15
----------------------------	-----	--------

OW5011

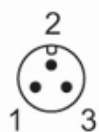


Infrared temperature sensor

OWS-7520-BPKG

Operating conditions		
Ambient temperature	[°C]	-20...60
Protection		IP 65
Tests / approvals		
EMC	EN 60947-5-2	
	EN 55011	class B
Mechanical data		
Housing		cylindrical
Dimensions	[mm]	Ø 58 / L = 150
Materials		brass white bronze coated
Lens material		glass
Displays / operating elements		
Display	switching status	1 x LED, yellow
Remarks		
Pack quantity		1 pcs.
Electrical connection		

Connector: 1 x 7/8"



Connection

