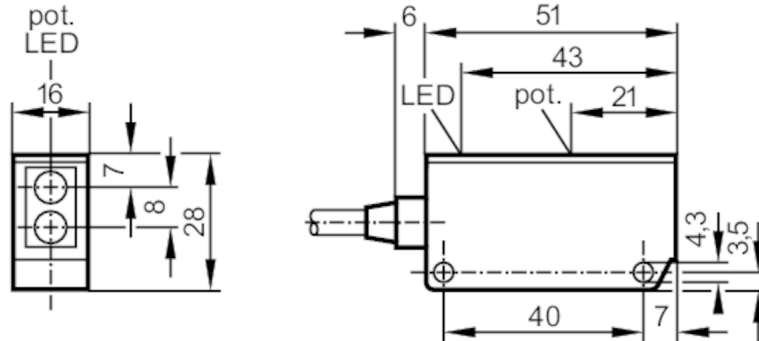




Retro-reflective sensor

OUR-DXOG/S 4- Leiter

Article no longer available - archive entry



receiver in upper lens
transmitter in lower lens

Product characteristics

Type of light	infrared light
Housing	rectangular
Dimensions [mm]	28 x 16 x 51

Application

Function principle	Retro-reflective sensor
--------------------	-------------------------

Electrical data

Operating voltage [V]	10...36 DC
Current consumption [mA]	< 20
Protection class	II
Reverse polarity protection	yes
Type of light	infrared light
Wave length [nm]	950

Outputs

Electrical design	PNP/NPN
Output function	dark-on mode
Max. voltage drop switching output DC [V]	2; ((PNP) / < 1 (NPN))
Permanent current rating of switching output DC [mA]	250
Switching frequency DC [Hz]	160
Short-circuit protection	yes
Type of short-circuit protection	pulsed
Overload protection	yes

Detection zone

Range [m]	< 3; (Prismatic reflector Ø 80 E20005)
Range adjustable	yes

Operating conditions

Ambient temperature [°C]	-25...80
Protection	IP 67

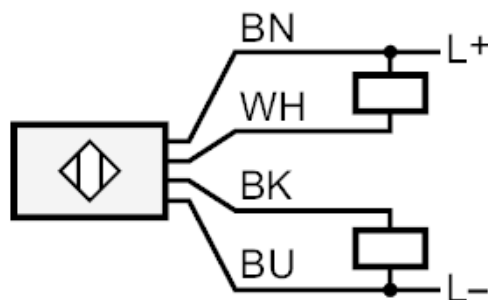
OU5072



Retro-reflective sensor

OUR-DXOG/S 4- Leiter

Tests / approvals		
EMC	EN 60947-5-2 EN 55011	class B
Mechanical data		
Housing	rectangular	
Dimensions [mm]	28 x 16 x 51	
Materials	PPE modified	
Lens material	glass	
Displays / operating elements		
Display	switching status	1 x LED, yellow
Accessories		
Items supplied	Angle bracket	
Remarks		
Pack quantity	1 pcs.	
Electrical connection		
Cable: 2 m, PVC; 4 x 0.34 mm ²		
Connection		



Core colours :

BK =	black
BN =	brown
BU =	blue
WH =	white