



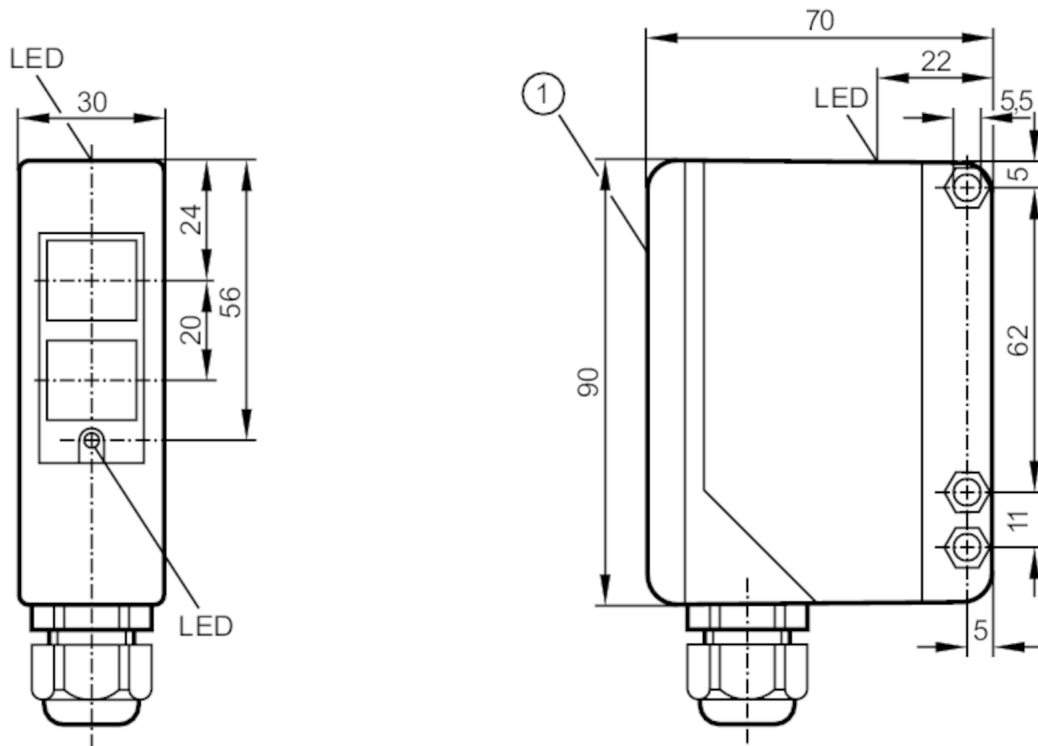
Retro-reflective sensor

OAP-FKOA/VRG

Article no longer available - archive entry

Alternative articles: OA0106

When selecting an alternative article and accessories please note that technical data may differ!



- 1 selection switch and potentiometer under cover
receiver in upper lens
transmitter in lower lens

Product characteristics

Type of light	red light
Housing	rectangular
Dimensions [mm]	90 x 30 x 70

Application

Special feature	polarisation filter
Function principle	Retro-reflective sensor

Electrical data

Frequency AC [Hz]	47...63
Operating voltage [V]	20...250 AC/DC
Max. power consumption [VA]	2
Protection class	II
Type of light	red light
Wave length [nm]	660

OA0116



Retro-reflective sensor

OAP-FKOA/VRG

Outputs		
Electrical design	relay	
Output function	light-on/dark-on mode; (parameterisable)	
Contact rating	250 V AC / 3 A / 360 VA, 125 V DC / 3 A / 30 W	
Switching frequency AC [Hz]	10	
Switching frequency DC [Hz]	10	
Short-circuit protection	no	
Overload protection	no	
Detection zone		
Range [m]	< 8	
Range adjustable	yes	
Polarisation filter available	yes	
Operating conditions		
Ambient temperature [°C]	-25...60	
Protection	IP 65	
Tests / approvals		
EMC	EN 60947-5-2	class B
	EN 55011	
Mechanical data		
Housing	rectangular	
Dimensions [mm]	90 x 30 x 70	
Materials	PPO modified	
Lens material	PMMA	
Displays / operating elements		
Display	switching status	1 x LED, yellow
	operation	1 x LED, green
	function	1 x LED, red
Accessories		
Items supplied	Angle bracket screwdrivers	
Remarks		
Pack quantity	1 pcs.	

OA0116



Retro-reflective sensor

OAP-FKOA/VRG

Electrical connection

terminals: ...1.5 mm²

Connection

