

# N0532A



## Switching amplifiers for Namur sensors

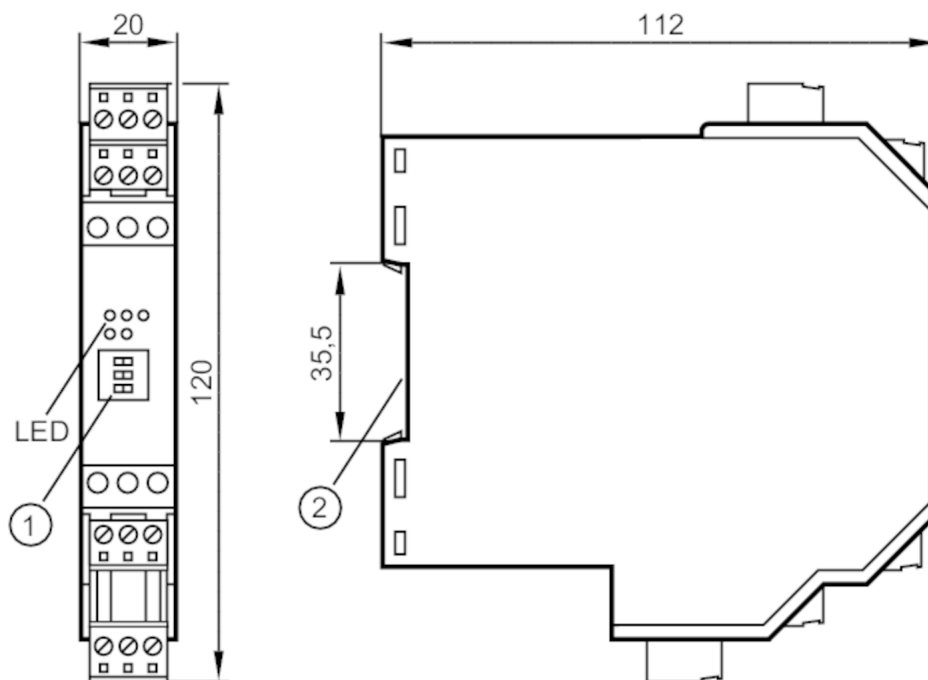
NV1223/24VDC/OK/1D/1G

phase-out article

Discontinuation date: 03/31/2022

Alternative articles: N0538A

When selecting an alternative article and accessories please note that technical data may differ!



### Product characteristics

Number of inputs and outputs

Number of digital outputs: 2

### Application

Application

short-circuit monitoring; Wire monitoring

### Electrical data

Operating voltage tolerance [%]

-15...25

Operating voltage [V]

24 DC

Current consumption [mA]

< 50

Number of channels

2

### Inputs / outputs

Number of inputs and outputs

Number of digital outputs: 2

# N0532A



## Switching amplifiers for Namur sensors

NV1223/24VDC/OK/1D/1G

Outputs		
Electrical design	opto coupler; (bipolar; Voltage: max. 40 V DC)	
Number of digital outputs	2	
Max. voltage drop switching output DC [V]	3	
Max. current load per output [mA]	100	
Switching frequency DC [Hz]	5000	
Short-circuit proof	yes	
Operating conditions		
Ambient temperature [°C]	-20...60	
Protection	IP 20	
Tests / approvals		
Approval	PTB 02 ATEX 2037; TIIS TC16049; IECEx PTB 06.0038	
ATEX marking	Ex II (1) G [Ex ia] IIC	
	Ex II (1) D [Ex ia] IIIC	
EMC	EN 50081-2 (1993) EN 61326-1 (2006)	
MTTF [years]	426	
Mechanical data		
Weight [g]	172	
Displays / operating elements		
Display	switching status	2 x LED, yellow
	operation	LED, green
	function	2 x LED, red
Remarks		
Remarks	Caution The control monitor must be mounted outside the hazardous area. Free terminals must not be used.	
Pack quantity	1 pcs.	

# N0532A



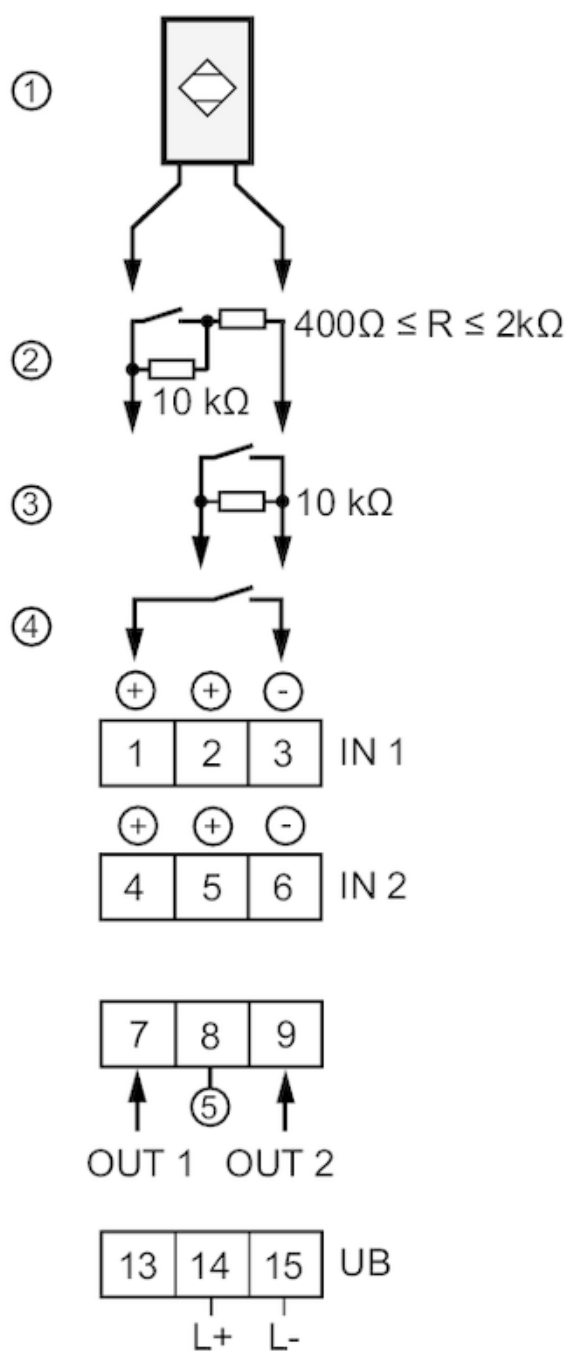
## Switching amplifiers for Namur sensors

NV1223/24VDC/OK/1D/1G

### Electrical connection

terminals: ...2.5 mm<sup>2</sup>

### Connection



# N0532A



## Switching amplifiers for Namur sensors

NV1223/24VDC/OK/1D/1G

### Other data

#### Maximum values for control circuit

in protection rating intrinsic safety	[EEx ia] IIC	[EEx ia] IIB	[EEx ib] IIC	[EEx ib] IIB
Voltage [V]	10.5	10.5	10.5	10.5
Current [mA]	13	13	13	13
Power [mW]	34	34	34	34
External inductance [mH]	200	740	200	740
External capacitance [ $\mu$ F]	2.4	16.8	2.4	16.8