

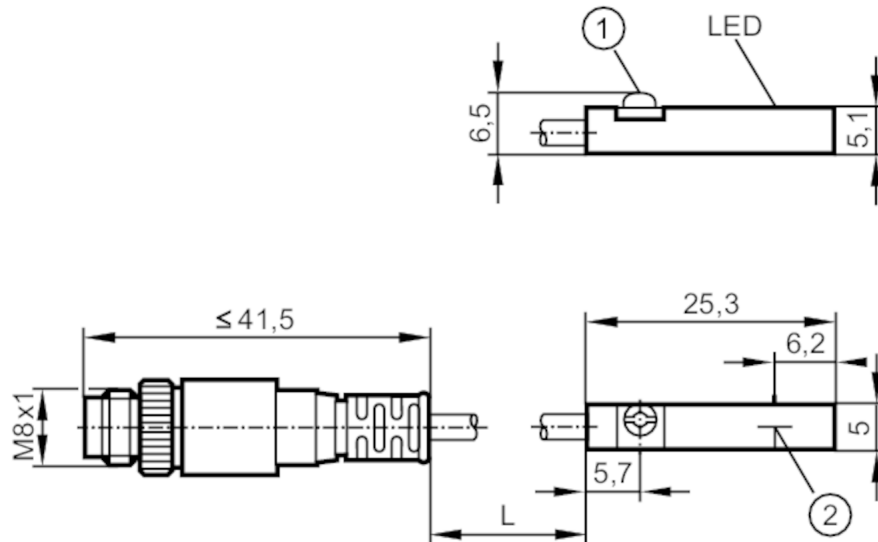
MK5121



T-slot cylinder sensor

MKT3028BBPKG/G/0,5M/ZH/ASR

note the temporary technical changes in short-circuit protection, overload protection and reverse polarity protection



- 1 fastening clamp
- 2 Sensing face



Product characteristics

Electrical design	PNP
Output function	normally open
Dimensions [mm]	25 x 5 x 6.5

Electrical data

Operating voltage [V]	10...30 DC
Current consumption [mA]	< 10
Protection class	III
Reverse polarity protection	no
Max. power-on delay time [ms]	30

Outputs

Electrical design	PNP
Output function	normally open
Max. voltage drop switching output DC [V]	2.5
Permanent current rating of switching output DC [mA]	100
Switching frequency DC [Hz]	10000
Short-circuit protection	no
Overload protection	no

Detection zone


Response sensitivity [mT]	2.8
Travel speed [m/s]	> 10

MK5121



T-slot cylinder sensor

MKT3028BBPKG/G/0,5M/ZH/ASR

Accuracy / deviations		
Hysteresis	[mm]	< 1.5
Repeatability	[mm]	< 0.2
Operating conditions		
Ambient temperature	[°C]	-25...85
Protection		IP 65; IP 67
Tests / approvals		
EMC	EN 61000-4-2 ESD	- CD / 8 kV AD
	EN 61000-4-3 HF radiated	10 V/m
	EN 61000-4-4 Burst	2 kV
	EN 61000-4-6 HF conducted	10 V
	EN 55011	class B
MTTF	[years]	3694
UL approval	UL Approval no.	C003
Mechanical data		
Weight	[g]	16.7
Mounting		flush mountable
Type of mounting		fastening clamp with combined slot / hexagon socket, width across flats 1.5
Cylinder type		T-slot cylinders
Dimensions	[mm]	25 x 5 x 6.5
Materials		housing: PA; fastening clamp: stainless steel
Displays / operating elements		
Display	switching status	1 x LED, yellow
Accessories		
Items supplied		rubber placeholder: 1 Cable clip: 1
Remarks		
Notes		note the temporary technical changes in short-circuit protection, overload protection and reverse polarity protection
Pack quantity		1 pcs.
Electrical connection - plug		
Cable: 0.5 m, PUR		
Connector: 1 x M8; coding: A; Locking: knurled nut, rotatable		
		

MK5121

T-slot cylinder sensor

MKT3028BBPKG/G/0,5M/ZH/ASR



Connection

