

# IV5054



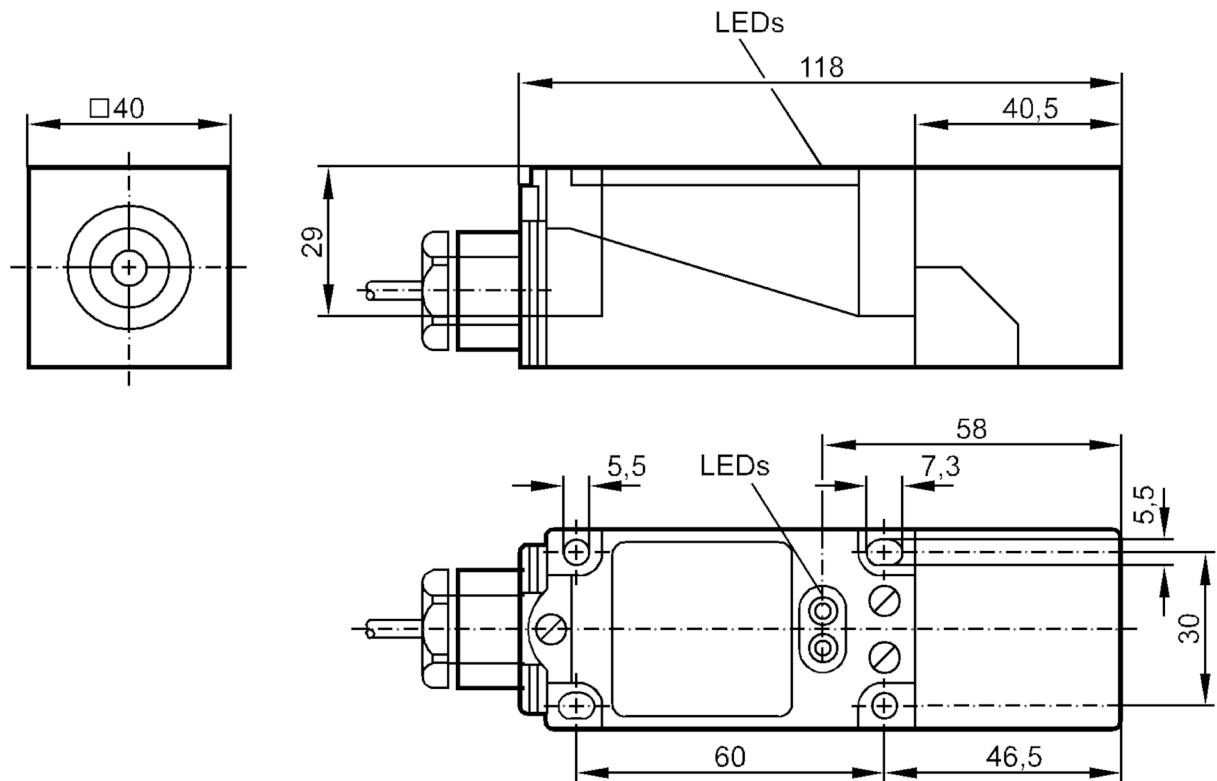
## Inductive sensor

IVE4020BCPKG/20M

Article no longer available - archive entry

Alternative articles: IV5055

When selecting an alternative article and accessories please note that technical data may differ!



### Product characteristics

Electrical design		PNP
Output function		complementary
Sensing range	[mm]	20
Housing		rectangular
Dimensions	[mm]	40 x 40 x 128

### Electrical data

Operating voltage	[V]	10...60 DC
Current consumption	[mA]	20; (24 V)
Protection class		II
Reverse polarity protection		yes

# IV5054



## Inductive sensor

IVE4020BCPKG/20M

Outputs		
Electrical design		PNP
Output function		complementary
Max. voltage drop switching output DC	[V]	3
Permanent current rating of switching output DC	[mA]	200
Switching frequency DC	[Hz]	150
Short-circuit protection		yes
Type of short-circuit protection		pulsed
Overload protection		yes
Detection zone		
Sensing range	[mm]	20
Real sensing range Sr	[mm]	20 ± 10 %
Operating distance	[mm]	0...16.2
Accuracy / deviations		
Correction factor		steel: 1 / stainless steel: 0.7 / brass: 0.4 / aluminium: 0.3 / copper: 0.2
Hysteresis	[% of Sr]	1...15
Switch point drift	[% of Sr]	-10...10
Operating conditions		
Ambient temperature	[°C]	-25...70
Protection		IP 67
Tests / approvals		
EMC	EN 60947-5-2	class B
	EN 55011	
Mechanical data		
Housing		rectangular
Mounting		flush mountable
Dimensions	[mm]	40 x 40 x 128
Materials		PBT; Sealing: FKM
Displays / operating elements		
Display	switching status	1 x LED, yellow
	operation	1 x LED, green
Remarks		
Remarks		5 positions of the active zone possible Cable gland (E11270) to be ordered separately
Pack quantity		1 pcs.

# IV5054



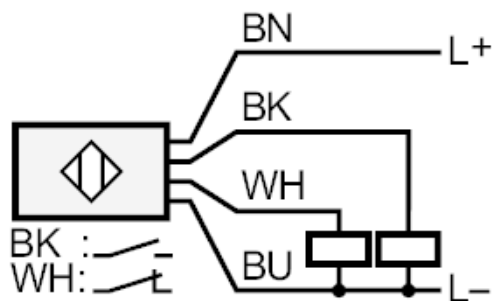
## Inductive sensor

IVE4020BCPKG/20M

### Electrical connection

Cable: 20 m, oil-resistant flexible cable; 4 x 0.5 mm<sup>2</sup>

### Connection



Core colours :

BK =	black
BN =	brown
BU =	blue
WH =	white