

# II5903



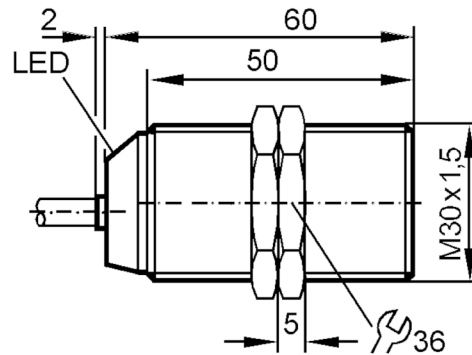
## Inductive sensor

IIK3015BBPKG/0,61M

Article no longer available - archive entry

Alternative articles: II5742

When selecting an alternative article and accessories please note that technical data may differ!



### Product characteristics

Electrical design	PNP
Output function	normally open
Sensing range [mm]	15
Housing	threaded type
Dimensions [mm]	M30 x 1.5

### Electrical data

Operating voltage [V]	10...36 DC
Current consumption [mA]	< 15
Protection class	II
Reverse polarity protection	yes

# II5903



## Inductive sensor

IIK3015BBPKG/0,61M

Outputs		
Electrical design		PNP
Output function		normally open
Max. voltage drop switching output DC	[V]	2.5
Permanent current rating of switching output DC	[mA]	250
Switching frequency DC	[Hz]	100
Short-circuit protection		yes
Type of short-circuit protection		pulsed
Overload protection		yes
Detection zone		
Sensing range	[mm]	15
Real sensing range Sr	[mm]	15 ± 10 %
Operating distance	[mm]	0...12.1
Accuracy / deviations		
Correction factor		steel: 1 / stainless steel: 0.7 / brass: 0.5 / aluminium: 0.3 / copper: 0.2
Hysteresis	[% of Sr]	1...20
Switch point drift	[% of Sr]	-10...10
Operating conditions		
Ambient temperature	[°C]	-40...70
Protection		IP 67
Tests / approvals		
EMC	EN 60947-5-2	class B
	EN 55011	
Mechanical data		
Housing		threaded type
Mounting		flush mountable
Dimensions	[mm]	M30 x 1.5
Thread designation		M30 x 1.5
Materials		brass white bronze coated; PBT
Displays / operating elements		
Display	switching status	1 x LED, yellow
	operation	1 x LED, green
Accessories		
Items supplied		lock nuts: 2
Remarks		
Pack quantity		1 pcs.

# II5903



## Inductive sensor

IIK3015BBPKG/0,61M

### Electrical connection

Cable: 0.61 m, PUR; 3 x 0.75 mm<sup>2</sup>

### Connection



Core colours :

BN =

brown

BU =

blue

BK =

black