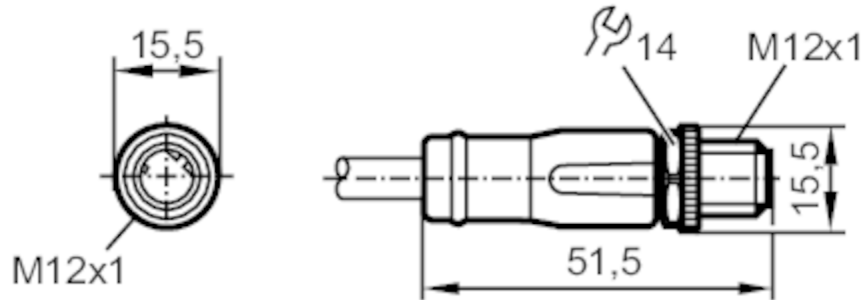




Connecting cable with plug

ASTGN040MSS0020K04



Application

Special feature	Free from silicone; Halogen-free; Gold-plated contacts; Screened cable; Drag chain suitability
Design	Ethernet cable, D-coded
Application	Industrial Ethernet; CAT5/CAT5e; 100 Mbit/s; Industrial applications / factory automation
Free from silicone	yes

Electrical data

Operating voltage [V]	30 AC / 60 DC
Protection class	III
Max. current load total [A]	4

Operating conditions

Ambient temperature [°C]	-25...90
Ambient temperature (moving) [°C]	-25...90
Protection	IP 65; IP 67

Mechanical data

Weight [g]	1246.7	
Moulded-body material	TPU	
Material nut	brass, nickel-plated	
Drag chain suitability	yes	
Drag chain suitability	bending radius for flexible use	min. 10 x cable diameter
	travel speed	max. 3.3 m/s for a horizontal travel length of 5 m and max. acceleration of 5 m/s ²
	bending cycles	> 3 Mio.
	torsional strain	± 180 °/m

EVC896



Connecting cable with plug

ASTGN040MSS0020K04

Remarks

Pack quantity

1 pcs.

Electrical connection - plug

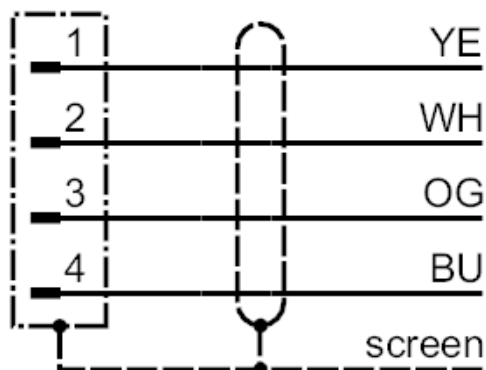
Connector: 1 x M12, straight; Moulded body: TPU, black; Locking: brass, nickel-plated; Contacts: gold-plated; Tightening torque: 0.6...1.2 Nm; Shielded connection cable: screen connected



Electrical connection

Cable: 20 m, PUR, Halogen-free, green, Ø 6.5 mm, shielded; PROFINET Type C; 4 x 0.34 mm² (7 x Ø 0.25 mm)

Connection



Core colours :

BU = blue
OG = orange
WH = white
YE = yellow