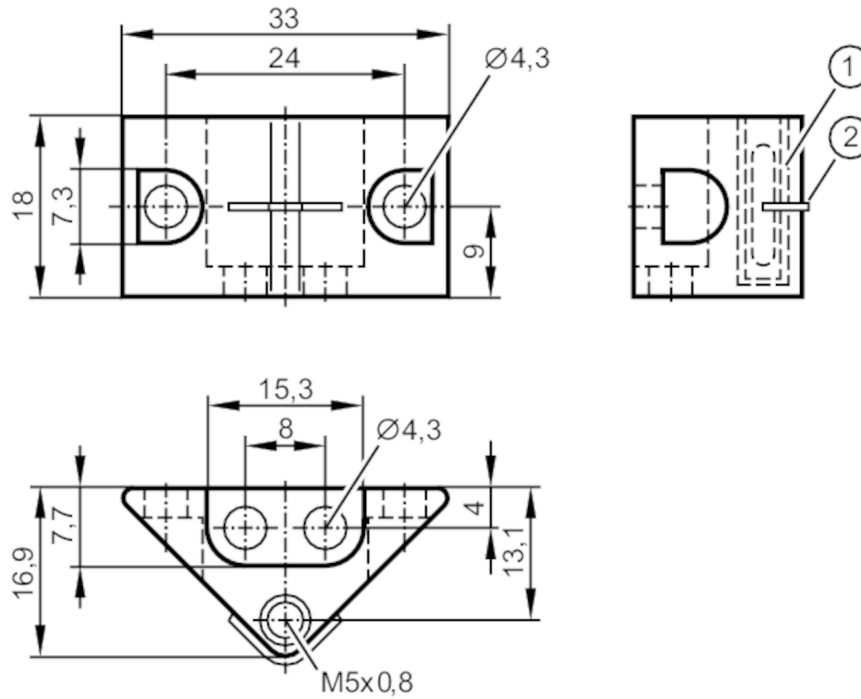


E80348



RFID tag

ID-TAG/TRIANGLE HOUSING/06



- 1 ID tag
- 2 tag position mark middle of the antenna



Application

Application coding of workpiece carriers in routing conveyors

Electrical data

Operating frequency	[MHz]	13,56
Memory size	[bit]	896
Memory type		EEPROM
Chip type		Vigo
Number of blocks		28
Block size	[Byte]	4
Unique Identification Number (UID)	[Byte]	8
RFID standard		ISO 15693
Max. read cycles		unlimited
Max. write cycles		100000

Operating conditions

Ambient temperature	[°C]	-25...85
Storage temperature	[°C]	-40...90
Protection		IP 67

Tests / approvals

Shock resistance	DIN IEC 68-2-29	30 g 18 ms
Vibration resistance	DIN IEC 68-2-6	6 g 14...200 Hz
Radio approval		ISO 15693

E80348



RFID tag

ID-TAG/TRIANGLE HOUSING/06

Mechanical data	
Weight [g]	9.1
Housing	tag fixture for workpiece carriers
Type of mounting	Installation on metal and non-metal materials; (screw fastening ; sticking to a surface)
Dimensions [mm]	18 x 33 x 16.9
Materials	PBT orange; PA black

Accessories

Items supplied	
----------------	--

Remarks

Pack quantity	1 pcs.
---------------	--------

Other data

read distance (mm)	
ANT410 / DTI410	4
ANT411 / DTI411	5
ANT420 / DTI420 / DTM424 / DTI424 / DTM426	-
ANT421 / DTI421 / DTM425 / DTI425 / DTM427	10
ANT430 / DTI430 / DTM434 / DTI434 / DTM436	5
ANT431 / DTI431 / DTM435 / DTI435 / DTM437	15
ANT513 / DTI513 / DTC510	20
ANT515 / DTI515 / ANT516 / DTI516	5
ANT600 / DTI600	15