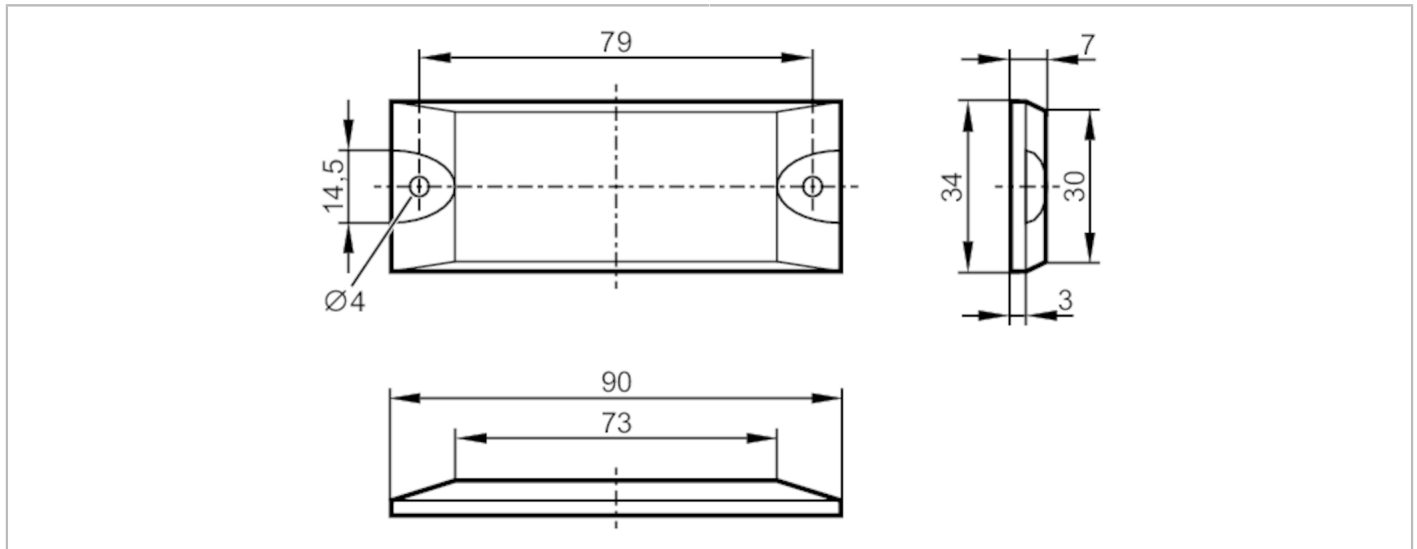


E80343



RFID tag

ID-TAG/90X34x7/06



Electrical data

| | | |
|------------------------------------|--------|------------|
| Operating frequency | [MHz] | 13,56 |
| Memory size | [bit] | 896 |
| Memory type | | EEPROM |
| Chip type | | ICODE SLIX |
| Number of blocks | | 28 |
| Block size | [Byte] | 4 |
| Unique Identification Number (UID) | [Byte] | 8 |
| RFID standard | | ISO 15693 |
| Max. read cycles | | unlimited |
| Max. write cycles | | 100000 |

Operating conditions

| | | |
|---------------------|------|----------|
| Ambient temperature | [°C] | -25...85 |
| Storage temperature | [°C] | -40...85 |
| Protection | | IP 68 |

Tests / approvals

| | | |
|----------------------|-----------------|-------------------|
| Shock resistance | DIN IEC 68-2-27 | 40 g 18 ms |
| Vibration resistance | DIN IEC 68-2-6 | 10 g 10...2000 Hz |
| Radio approval | ISO 15693 | |

Mechanical data

| | | |
|------------------|--|-------------|
| Weight | [g] | 117 |
| Type of mounting | Installation on metal and non-metal materials; (screw fastening ; sticking to a surface ; In case of installation on metal mount the flat side on the surface) | |
| Dimensions | [mm] | 90 x 34 x 7 |
| Materials | ABS | |

Remarks

| | | |
|---------------|--|--------|
| Pack quantity | | 5 pcs. |
|---------------|--|--------|

E80343



RFID tag

ID-TAG/90X34x7/06

Other data

read distance (mm)

| | |
|--|----|
| ANT410 / DTI410 | - |
| ANT411 / DTI411 | 5 |
| ANT420 / DTI420 / DTM424 / DTI424 / DTM426 | - |
| ANT421 / DTI421 / DTM425 / DTI425 / DTM427 | 20 |
| ANT430 / DTI430 / DTM434 / DTI434 / DTM436 | 15 |
| ANT431 / DTI431 / DTM435 / DTI435 / DTM437 | 25 |
| ANT513 / DTI513 / DTC510 | 50 |
| ANT515 / DTI515 / ANT516 / DTI516 | 20 |
| ANT600 / DTI600 | 95 |

read distance when mounted on metal (mm)

| | |
|--|----|
| ANT410 / DTI410 | 10 |
| ANT411 / DTI411 | 15 |
| ANT420 / DTI420 / DTM424 / DTI424 / DTM426 | 5 |
| ANT421 / DTI421 / DTM425 / DTI425 / DTM427 | 30 |
| ANT430 / DTI430 / DTM434 / DTI434 / DTM436 | 25 |
| ANT431 / DTI431 / DTM435 / DTI435 / DTM437 | 40 |
| ANT513 / DTI513 / DTC510 | 55 |
| ANT515 / DTI515 / ANT516 / DTI516 | 25 |
| ANT600 / DTI600 | 80 |