

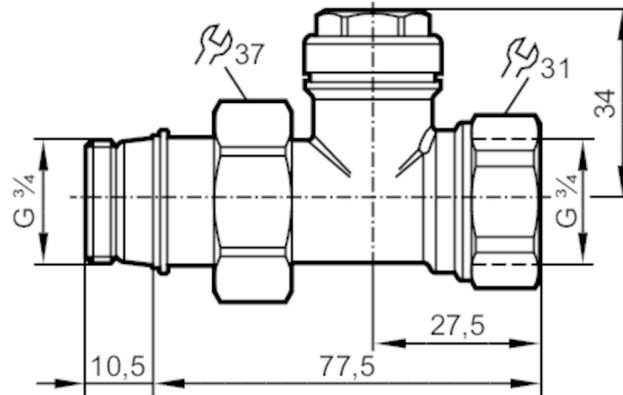
# E40251



## Regulating valve

ADJUSTMENT VALVE G3/4"

Article no longer available - archive entry



### Application

Pressure rating [bar] 10

### Mechanical data

Weight [g] 367.5

Materials brass nickel-plated; EPDM

Sensor connection G 3/4

Process connection G 3/4

### Remarks

Pack quantity 1 pcs.

# E40251

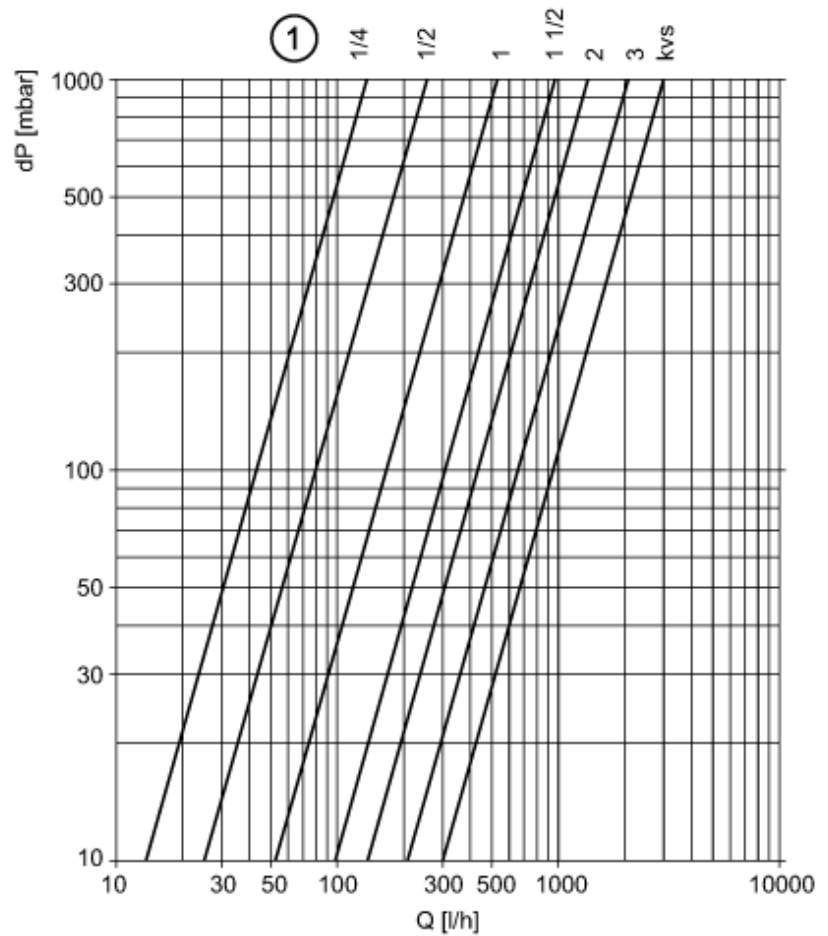


## Regulating valve

ADJUSTMENT VALVE G3/4"

### Diagrams and graphs

#### Pressure loss



①	1/4	1/2	1	1 1/2	2	3	k <sub>vs</sub>
k <sub>v</sub>	0,14	0,25	0,52	0,97	1,36	2,08	2,97

dP Pressure loss

Q volumetric flow quantity

1: angle of aperture number of revolutions counterclockwise starting from position "closed"

k<sub>v</sub> = flow coefficient

k<sub>vs</sub>  
= k<sub>v</sub> at maximum opening