

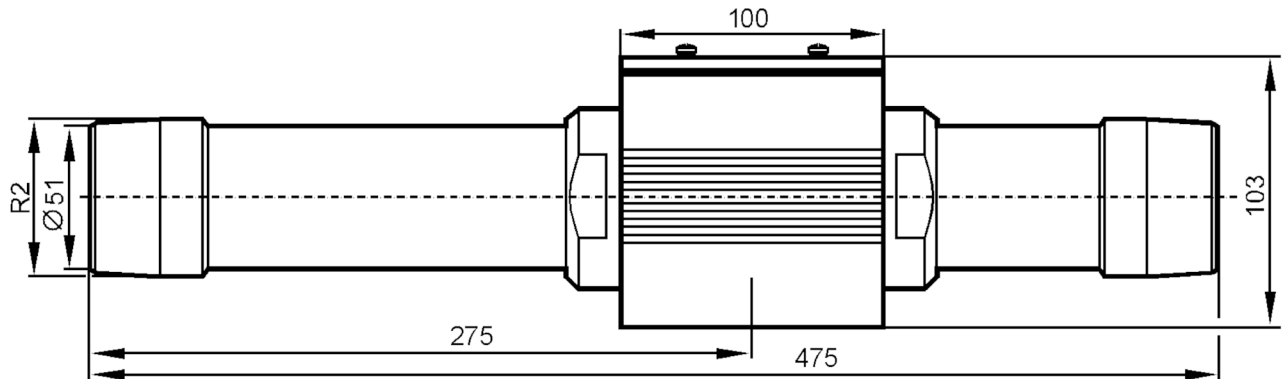
# E40169



## Pipe section for compressed air meter

MESSSTR DN50/L475/VA/D60,3

Article no longer available - archive entry



### Application

Design for compressed air meters SD2

Pressure rating [bar] 16

### Mechanical data

Materials stainless steel (1.4301 / 304); FKM; aluminium anodised

Process connection R 2

### Remarks

Pack quantity 1 pcs.