

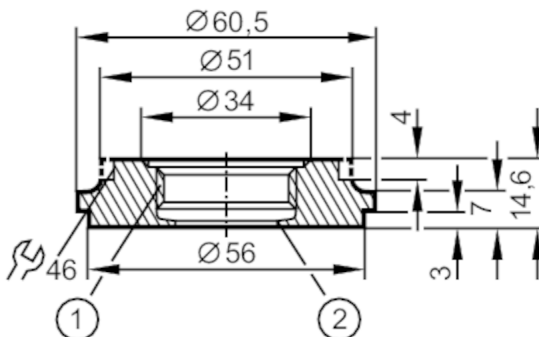
# E33082



## Mounting adapter for process sensors

ADAPT IFM-IDF 2

Article no longer available - archive entry



- 1 Aseptoflex thread
- 2 Aseptoflex sealing edge

### Application

Pressure rating [bar] 16

### Mechanical data

Materials	stainless steel (1.4404 / 316L)
Sensor connection	Aseptoflex
Process connection	Pipe fitting 2"
Surface characteristics Ra/Rz of the wetted parts	0.4 / 4
Hygienic equipment class to DIN 11866	H4

### Remarks

Pack quantity 1 pcs.