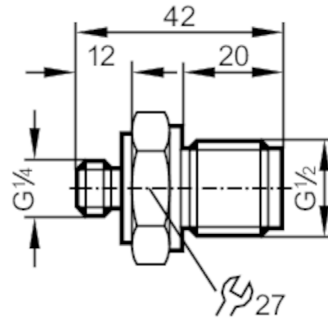


# E30450



## Screw-in adapter for process sensors

ADAPT G1/4A-G1/2A V2A



### Application

Medium temperature	[°C]	-40...130
Pressure rating	[bar]	1000

### Tests / approvals

Pressure Equipment Directive	A possible classification to PED depends on the application and has to be carried out by the user / operator.
Safety instructions	The compatibility between medium and product material has to be checked in all applications.

### Mechanical data

Weight	[g]	102.5
Materials	stainless steel (1.4305 / 303); Sealing: EPDM	
Sensor connection	G 1/4	
Process connection	threaded connection G 1/2	

### Remarks

Pack quantity	1 pcs.
---------------	--------