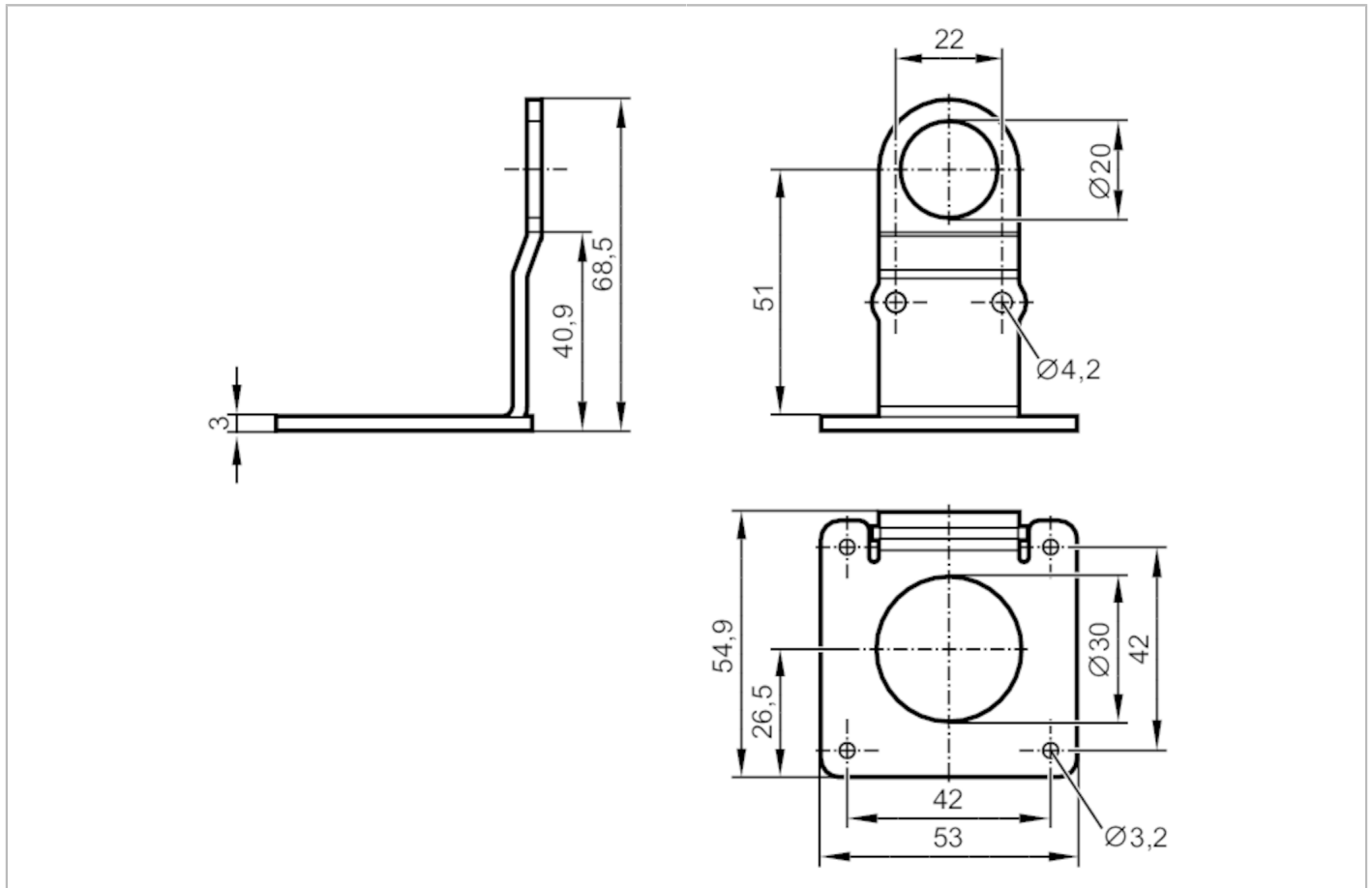


# E2D501



## Mounting set for illumination unit

Mounting Set Domelight / CC



Application	
Design	for type O2I5xx
Mechanical data	
Weight [g]	224.5
Type of mounting	mounting via screws; Mounting rod; 12 mm
Materials	Clamp: stainless steel (1.4408); cylinder screws: stainless steel; mounting bracket: stainless steel (1.4301 / 304)
Accessories	
Items supplied	mounting bracket: 1
	cylinder screws: 2 x M4 x 10
	cylinder screws: 4 x M3 x 8
	Clamp: 1
	Hexagon nut: 1 x M5
	head cap screw: 1 x M5 x 16
Remarks	
Pack quantity	1 pcs.

# E2D501



## Mounting set for illumination unit

Mounting Set Domelight / CC

### Diagrams and graphs

#### Installation

