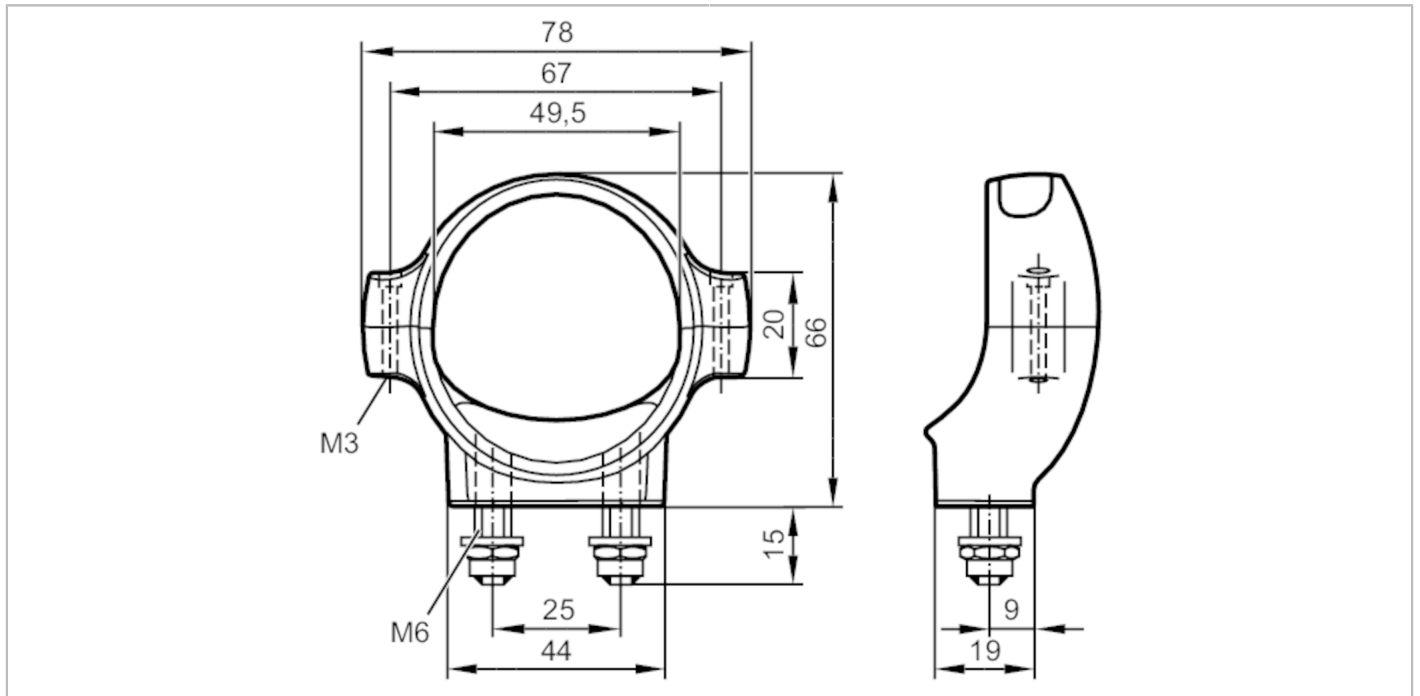


E2M210



Mounting set for analogue cameras

BRACKET CCC



Mechanical data	
Weight	[g] 51.5
Dimensions	[mm] 64 x 78 x 35
Materials	fixture: ABS
Accessories	
Items supplied	socket head screws: 2 x M3 x 11
	screws: 2 x M6 x 20
	washers: 2
	Nuts: 2 x M6, self-locking
	anti-slide pad: 1
Remarks	
Pack quantity	1 pcs.