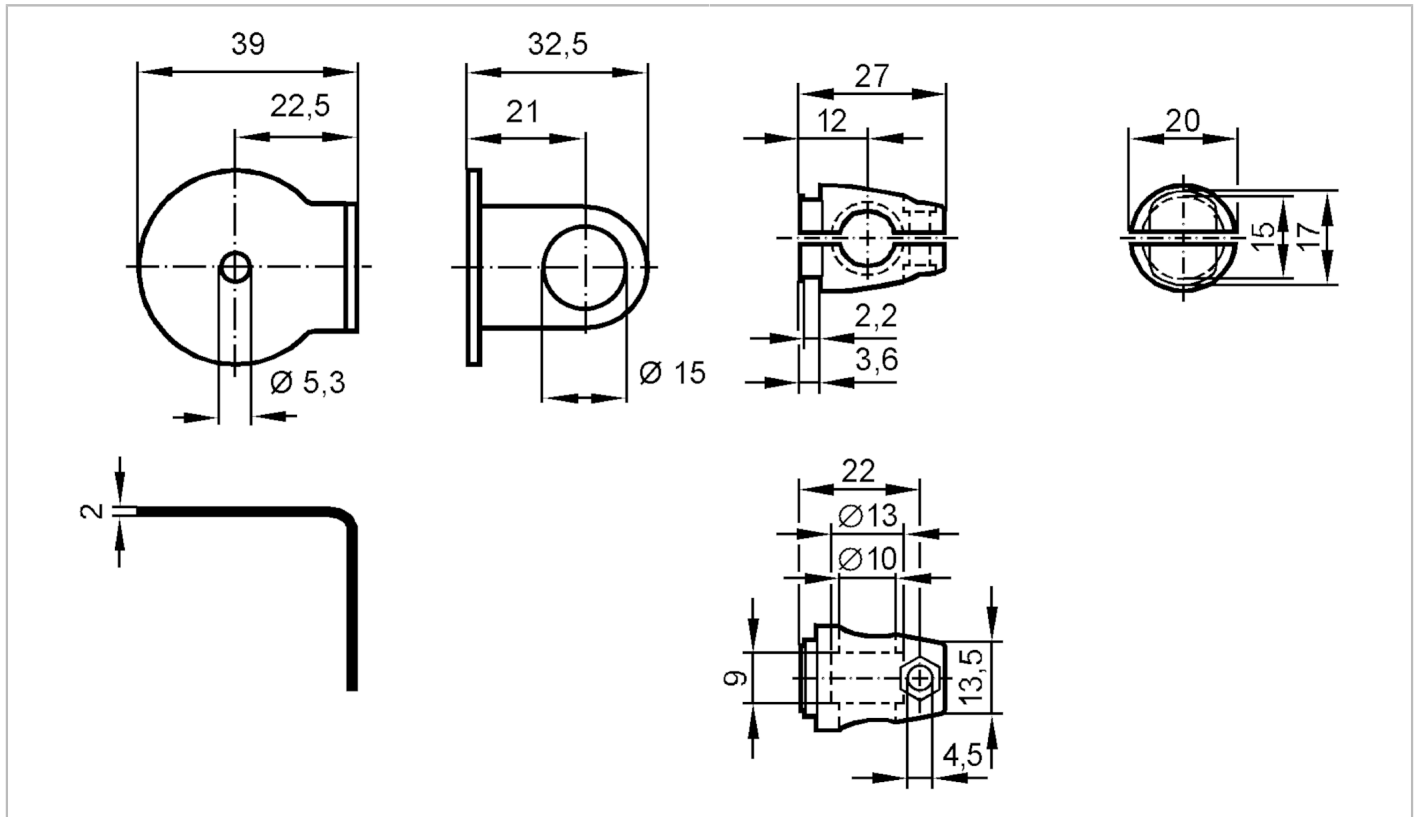


E21301



Mounting set for reflectors

SYSTEM COMPONENT REFL BOLT



Application	
Design	clamp mounting, for reflector, $\varnothing 35$ mm
Mechanical data	
Weight [g]	169
Type of mounting	Mounting rod; (M8)
Materials	fixture: stainless steel (1.4571/316Ti); Clamp: diecast zinc
Accessories	
Items supplied	Mounting rod: 1 x 125 mm, diameter 10 mm Thread dimensions: M8, 25 mm Material: stainless steel (1.4404 / 316L)
Remarks	
Pack quantity	1 pcs.