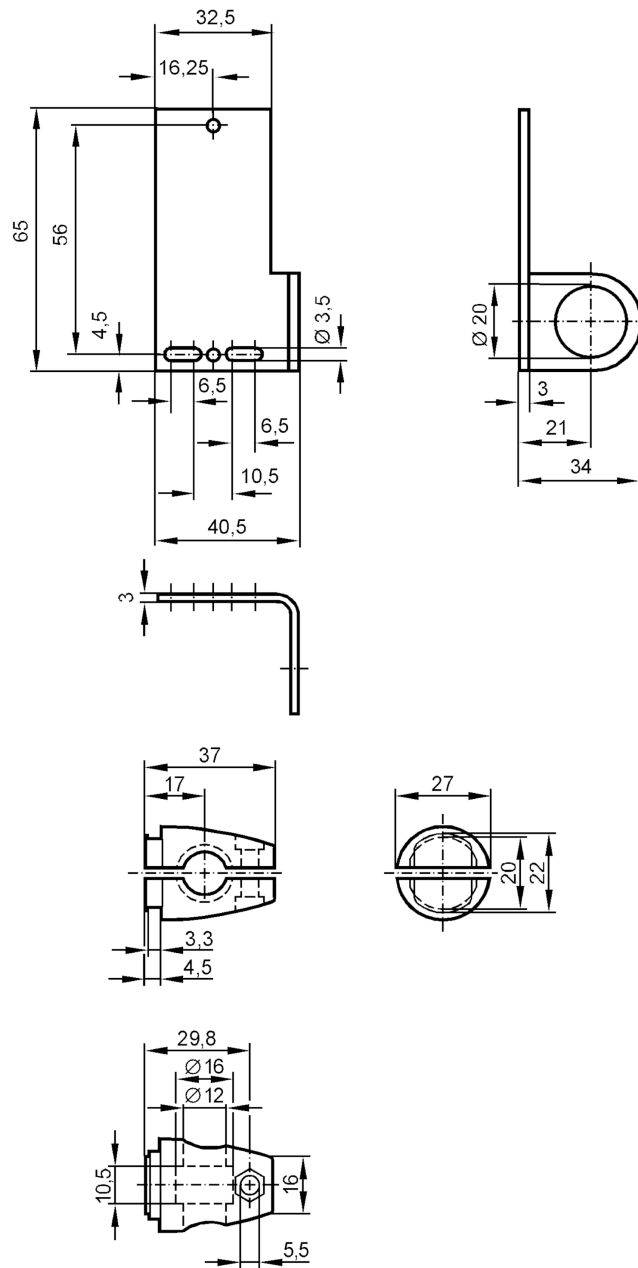


## Mounting set for reflectors

SYSTEM COMPONENT REFL ROD

Article no longer available - archive entry



## Application

Design

clamp mounting, for reflector

## Mechanical data

Type of mounting

Mounting rod; ( $\varnothing 12$  mm)

Materials

fixture: stainless steel (1.4571/316Ti); Clamp: stainless steel (1.4408)

## Remarks

Pack quantity

1 pcs.