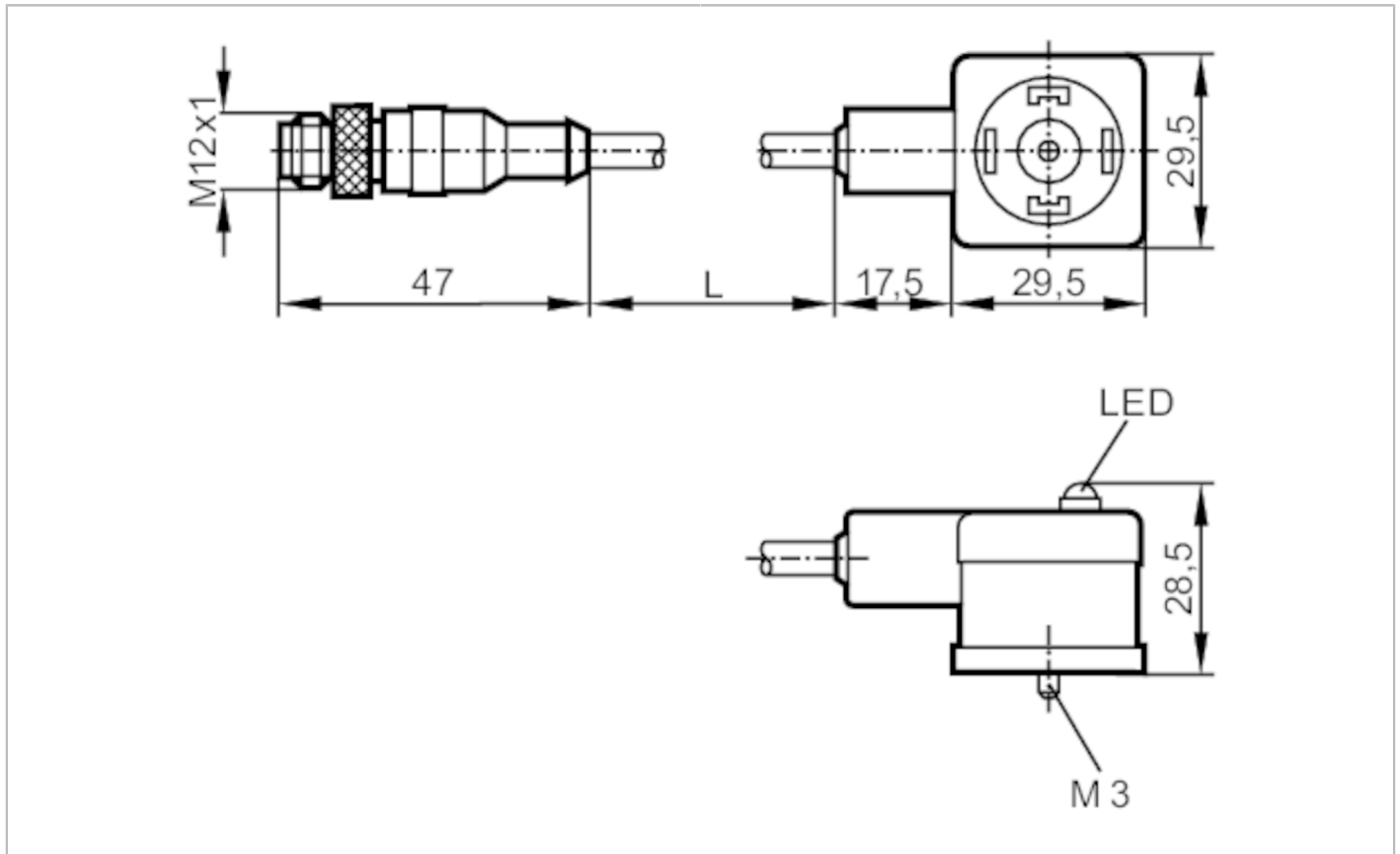


E11963



Connection cable

VVDAA040MSS0003B03STGH030MSS



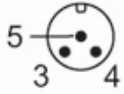
Application		
Special feature	Free from silicone; Halogen-free; Gold-plated contacts	
Free from silicone	yes	
Electrical data		
Operating voltage [V]	< 24 AC/DC	
Overvoltage protection	free-wheeling diode	
Operating conditions		
Ambient temperature [°C]	-25...90	
Protection	IP 67	
Mechanical data		
Weight [g]	183.5	
Materials	TPU	
Material nut	brass, nickel-plated / brass, nickel-plated	
Displays / operating elements		
Display	operation	1 x LED, green
Accessories		
Accessories (supplied)	screw panel for labelling	
Remarks		
Pack quantity	1 pcs.	
Electrical connection - plug		
Connector: 1 x M12, straight; Moulded body: TPU; Locking: brass, nickel-plated; Contacts: gold-plated		

E11963



Connection cable

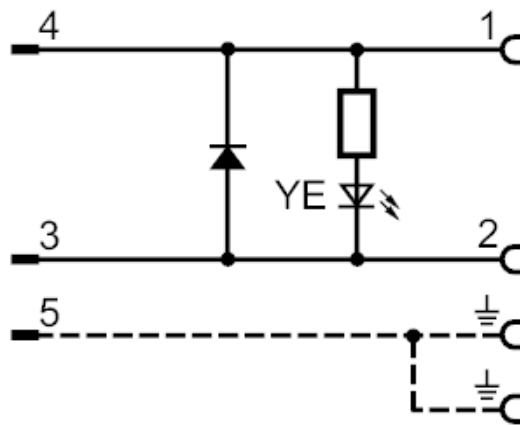
VVDAA040MSS0003B03STGH030MSS



Electrical connection

Cable: 3 m, PUR / PVC, Halogen-free; 3 x 0.5 mm² (42 x Ø 0.1 mm)

Connection



Electrical connection - socket

Connector: 1 x valve type A DIN, angled; Moulded body: TPU; Locking: brass, nickel-plated; Contacts: nickel-plated brass

