

E10087

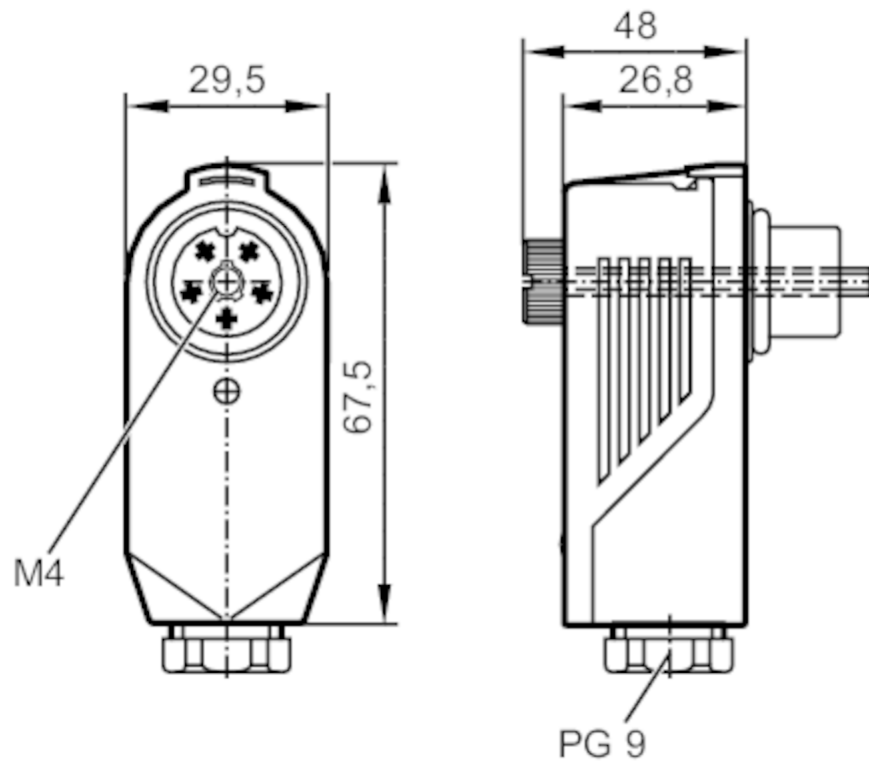


Wirable socket

SDOAT050--SFKPG

Article no longer available - archive entry

Discontinuation date: 16.05.2018



Electrical data

Operating voltage [V] 20...250 AC/DC

Operating conditions

Ambient temperature [°C] -25...80

Protection IP 65

Mechanical data

Weight [g] 65.2

Materials PA

Remarks

Pack quantity 1 pcs.

Electrical connection

terminals: ...1.5 mm²; Cable sheath: Ø 5...11 mm

Electrical connection - socket

Connector: 1 x Ø 28 mm, angled; Moulded body: PA

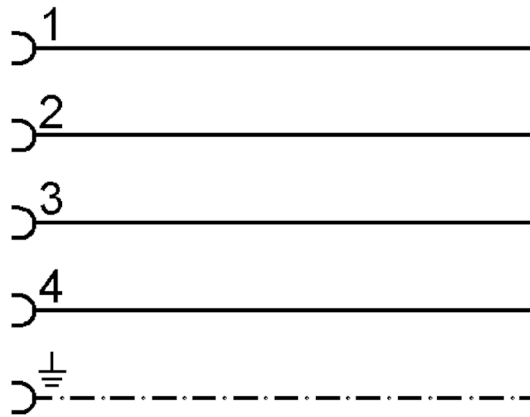
E10087

Wirable socket

SDOAT050--SFKPG



Connection



Article no longer available - archive entry

Discontinuation date: 16.05.2018