

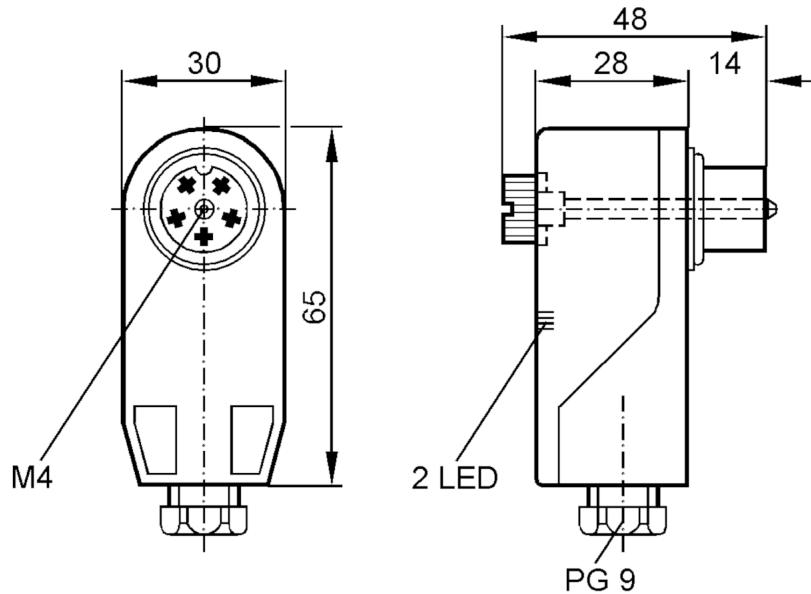
E10083



Wirable socket

SDOAT052--SFKPG

Article no longer available - archive entry



Electrical data

Operating voltage [V] 10...30 DC

Outputs

Electrical design PNP

Operating conditions

Ambient temperature [°C] -30...80

Protection IP 65

Mechanical data

Weight [g] 63.2

Dimensions [mm] 48 x 30 x 65

Materials PA

Material nut PA

Displays / operating elements

Display	switching status	1 x LED, yellow
	operation	1 x LED, green

Remarks

Pack quantity 1 pcs.

Electrical connection

terminals: ...1.5 mm²; Cable gland: PG 9

Electrical connection - socket

Connector: 1 x Ø 28 mm, angled; Moulded body: PA; Locking: PA

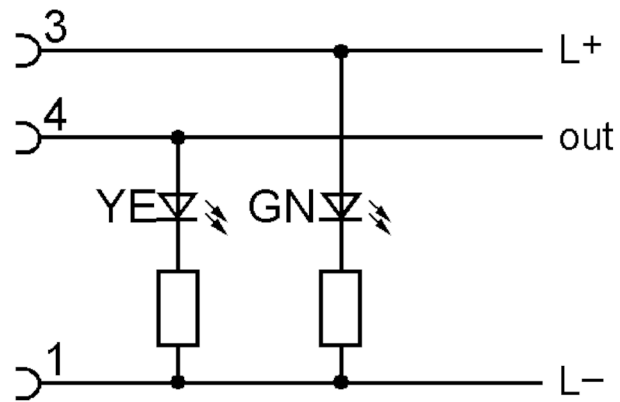
E10083

Wirable socket

SDOAT052--SFKPG



Connection



Article no longer available - archive entry