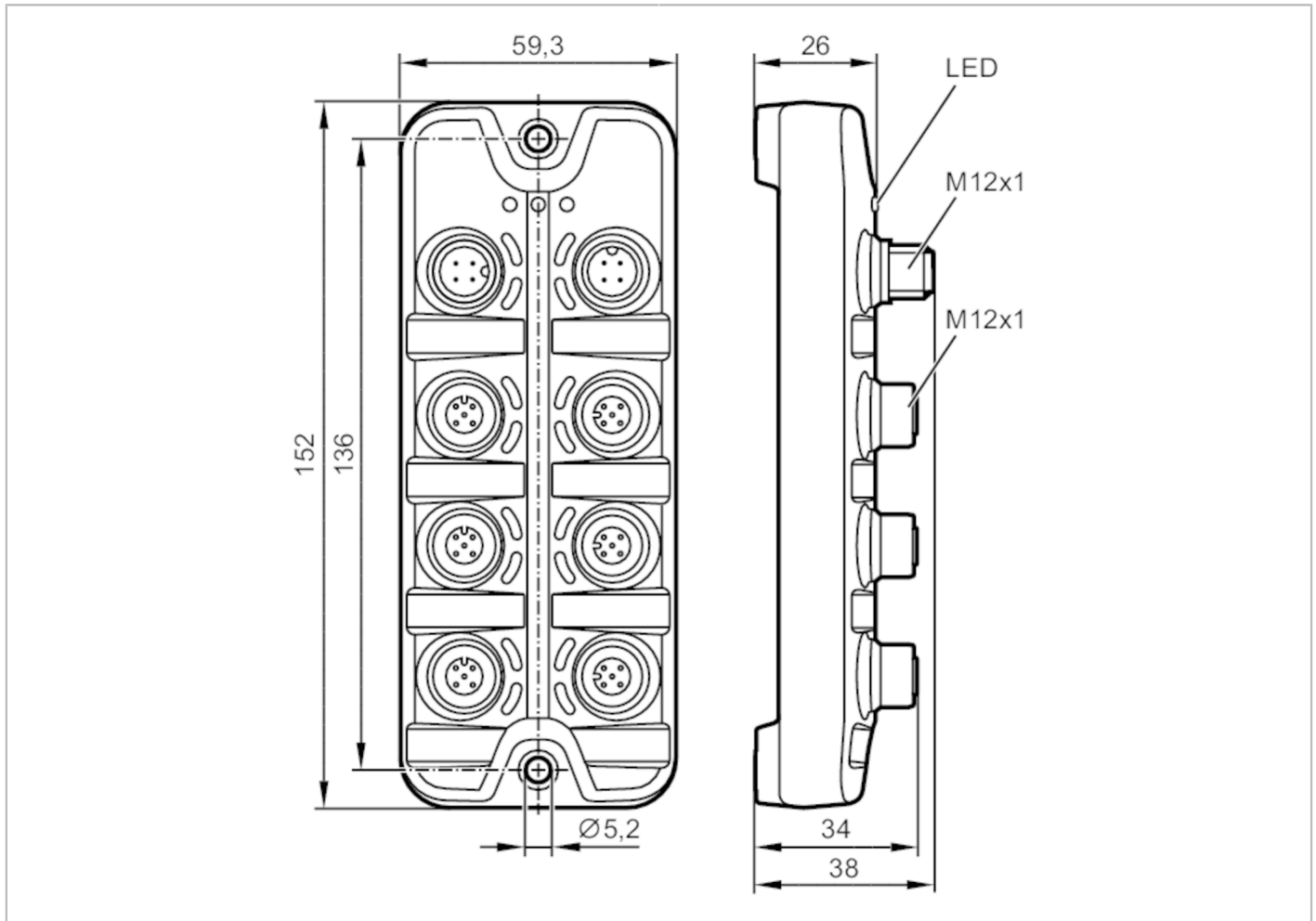


# AL2330



## IO-Link CompactLine module

IO-Link Module 6x2 DO M12 IP67



Application	
Application	I/O modules for field applications
Electrical data	
Operating voltage [V]	18...30 DC; (US)
Current consumption [mA]	50; (US)
Protection class	III
Additional voltage supply [V]	18...30 DC; (UA)
Max. current consumption from additional supply [mA]	3600; (UA)
Inputs / outputs	
Number of inputs and outputs	Number of digital outputs: 12
Outputs	
Number of digital outputs	12; (6 x 2)
Output function	PNP
Max. current load per output [mA]	1800
Max. current load outputs total [A]	3.6; (Max. current load per output side: 1800 mA)
Electrically separated	yes

# AL2330



## IO-Link CompactLine module

IO-Link Module 6x2 DO M12 IP67

Interfaces		
Communication interface	IO-Link	
Supported DeviceIDs	Type of operation	DeviceID
	Default	893
IO-Link Device		
Transmission type	COM2 (38,4 kBaud)	
IO-Link revision	1.1	
SDCI standard	IEC 61131-9	
SIO mode	no	
Min. process cycle time [ms]	5.6	
Operating conditions		
Ambient temperature [°C]	-25...60	
Storage temperature [°C]	-25...70	
Max. relative air humidity [%]	90	
Max. height above sea level [m]	2000	
Protection	IP 65; IP 67	
Degree of soiling	2	
Tests / approvals		
EMC	EN 61000-6-2	
	EN 61000-6-3	
	IEC 61131-9	
Shock resistance	DIN EN 60068-2-27	
Vibration resistance	DIN EN 60068-2-64	
	DIN EN 60068-2-6	
MTTF [years]	63	
Mechanical data		
Weight [g]	303	
Dimensions [mm]	26 x 59.3 x 152	
Materials	housing: PA; socket: brass nickel-plated	
Sealing material	FKM	
Displays / operating elements		
Display	operation	LED, green
	errors	LED, red
	function	LED, yellow
Accessories		
Accessories (optional)	Protective caps M12	
Remarks		
Pack quantity	1 pcs.	
Electrical connection - IO-Link		
Connector: M12		

# AL2330



## IO-Link CompactLine module

IO-Link Module 6x2 DO M12 IP67

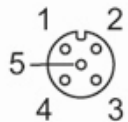


### X1

1	+ 24 V DC (US)
2	not used
3	GND (US)
4	IO-Link

### Electrical connection - Outputs

Connector: M12; Sealing: FKM



### X1.0...X1.5

1	not used
2	DO2
3	GND (UA)
4	DO1
5	not used

### Electrical connection - voltage supply

Connector: M12



### X31

1	+ 24 V DC (UAL)
2	GND (UAR)
3	GND (UAL)
4	+ 24 V DC (UAR)