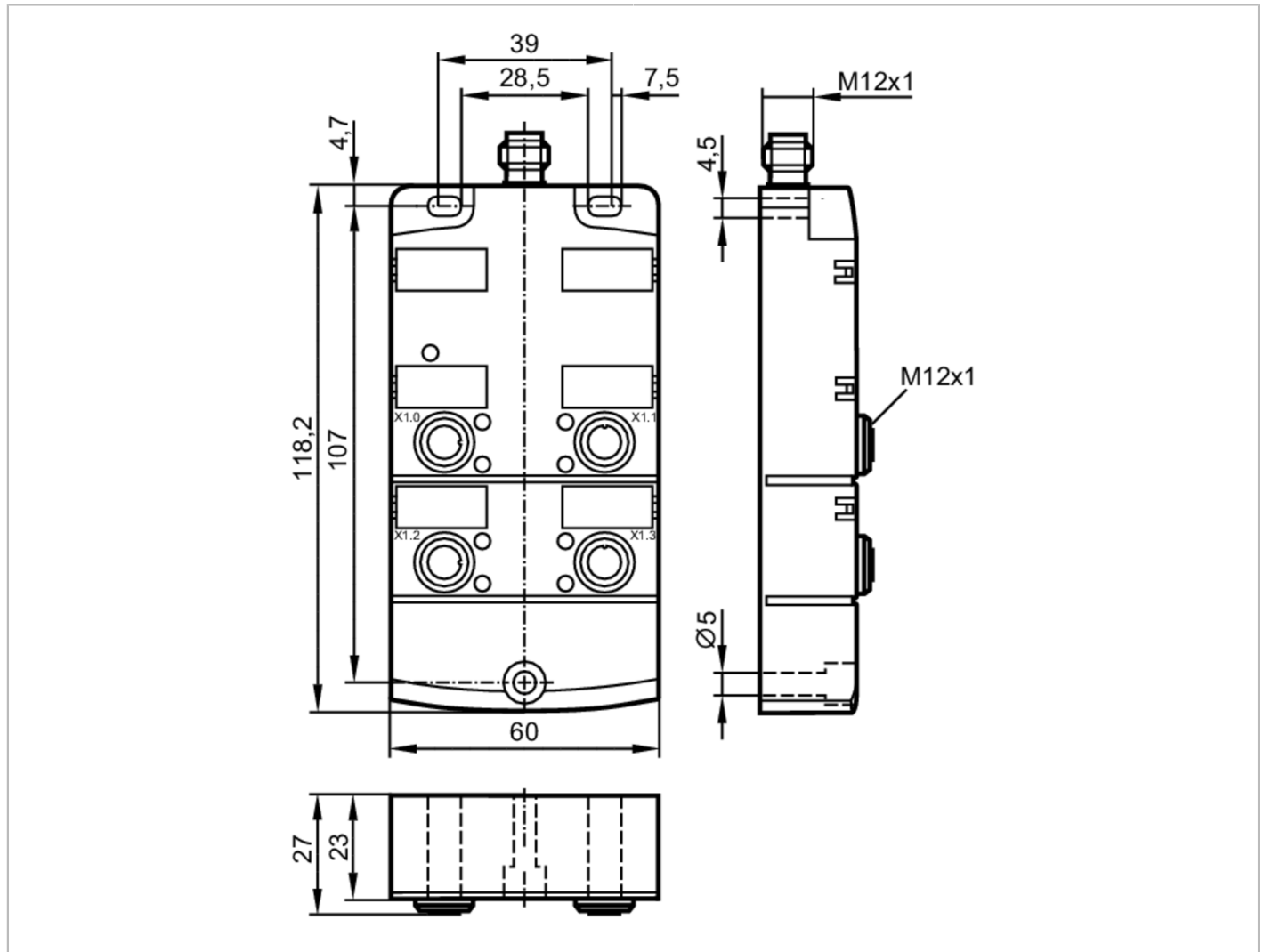


AL2400



IO-Link CompactLine module

IO-Link module 4 x 2 DI IP 67



Electrical data	
Operating voltage	[V] 18...30 DC; ("supply class 2" to cULus)
Current consumption	[mA] < 50
Sensor supply US	
Current rating per port	[A] 0.1
Inputs / outputs	
Number of inputs and outputs	Number of digital inputs: 8

AL2400



IO-Link CompactLine module

IO-Link module 4 x 2 DI IP 67

Inputs		
Number of digital inputs		8; (4 x 2)
Input circuit of digital inputs		PNP
Sensor supply of the inputs		IO-Link
Input current limitation [mA]		15
Input current High [mA]		6...10
Input current Low [mA]		0...2
Min. switching level high signal [V]		11
Digital inputs protected against short circuits		yes
Interfaces		
Communication interface		IO-Link
Supported DeviceIDs	Type of operation	DeviceID
	Default	554
IO-Link Device		
Transmission type		COM2 (38,4 kBaud)
IO-Link revision		1.1
SDCI standard		IEC 61131-9
SIO mode		no
Process data analogue		1
Process data binary		12
Min. process cycle time [ms]		2.9
Operating conditions		
Ambient temperature [°C]		-25...70
Protection		IP 67
Tests / approvals		
EMC	EN 61000-6-2	
	EN 61000-6-3	
	IEC 61131-9	
Mechanical data		
Weight [g]		300
Materials		PA; socket: brass nickel-plated; O-ring: FKM
Sealing material		FKM
Displays / operating elements		
Display	operation	LED, green
	errors	LED, red
	function	LED, yellow
Accessories		
Accessories (optional)		Stainless steel sleeve, for installation in case of high mechanical stress , E70402
Remarks		
Remarks		For use in NFPA 79 applications only
		The device is to be operated to IO-Link specification V1.1.2.
		The maximum cable length of the IO-Link cable is 20 m.
Pack quantity		1 pcs.



IO-Link CompactLine module

IO-Link module 4 x 2 DI IP 67

Electrical connection - IO-Link

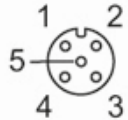
Connector: M12



1	UB +
2	not used
3	UB -
4	IO-Link

Electrical connection - Process connection

Connector: M12; Sealing: FKM



	Inputs X1.0...X1.3
1	Sensor supply +24 V
2	IN 2
3	Sensor supply 0 V
4	IN 1
5	not used