

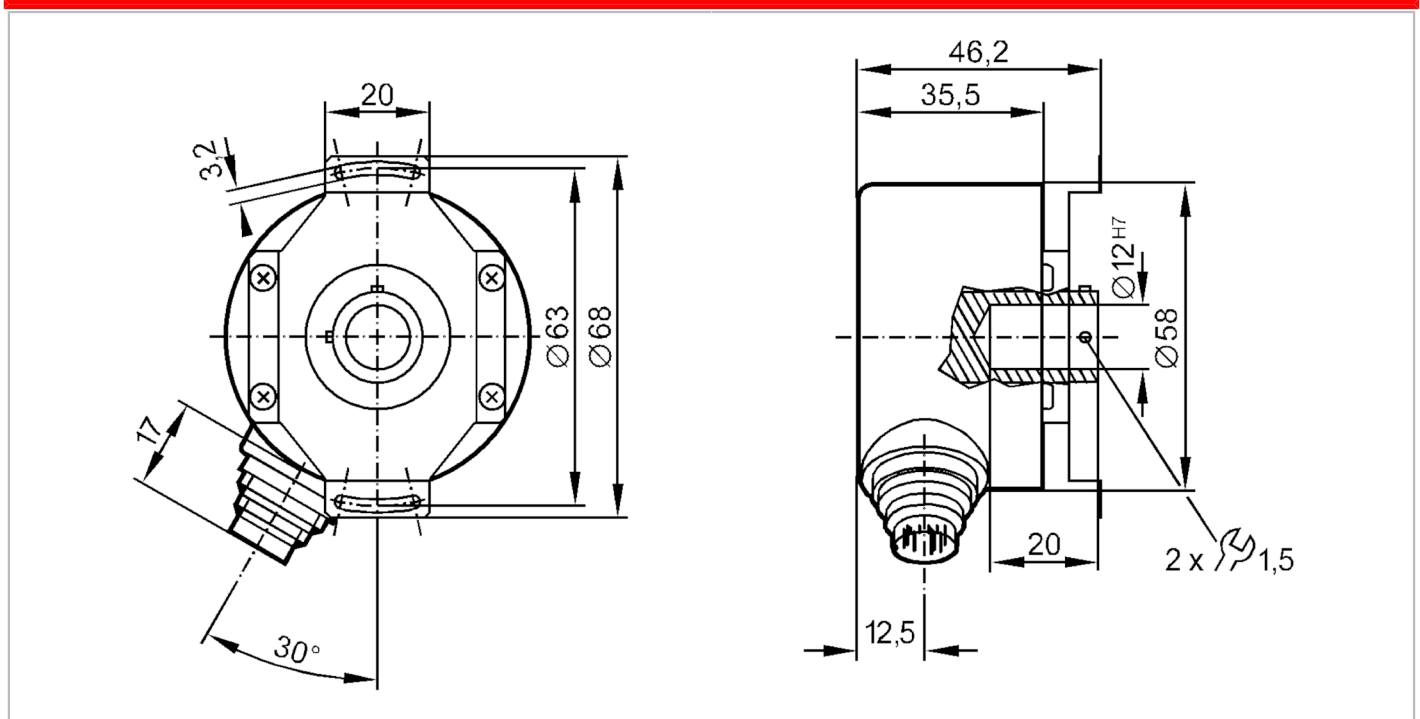
RO6354



Incremental encoder with hollow shaft

RO-0050-I24/T U

Article no longer available - archive entry



Product characteristics	
Resolution	50 resolution
Shaft design	hollow shaft open to one side
Shaft diameter [mm]	12
Electrical data	
Operating voltage [V]	10...30 DC
Current consumption [mA]	< 200
Outputs	
Electrical design	HTL
Max. current load per output [mA]	20
Switching frequency [kHz]	160
Type of short-circuit protection	< 60 s
Phase difference A and B [°]	90
Measuring/setting range	
Resolution	50 resolution
Operating conditions	
Ambient temperature [°C]	-30...95
Note on ambient temperature	Up < 18 V: -30...100 °C
Storage temperature [°C]	-30...100
Max. relative air humidity [%]	98
Protection	IP 64

RO6354



Incremental encoder with hollow shaft

RO-0050-I24/T U

Tests / approvals

Shock resistance		100 g (6 ms)
Vibration resistance		10 g (55...2000 Hz)

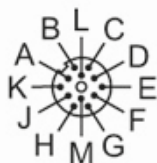
Mechanical data

Dimensions [mm]		Ø 58 / L = 46.2
Materials		aluminium
Max. revolution, mechanical [U/min]		12000
Max. starting torque [Nm]		2.5
Reference temperature torque [°C]		20
Shaft design		hollow shaft open to one side
Shaft diameter [mm]		12
Shaft fit		H7
Shaft material		stainless steel
Installation depth of shaft [mm]		10
Max. axial shaft misalignment [mm]		1; (max. radial shaft alignment: ± 0,05 mm)

Electrical connection

A	B inverted
B	Ub sensor
C	0 index
D	0 index inverted
E	A
F	A inverted
G	failure inverted
H	B
K	0V Un
L	0V sensor
M	L+ Up
screen	housing

Connector: 1 x M18, radial



RO6354

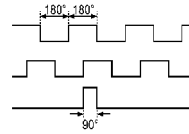


Incremental encoder with hollow shaft

RO-0050-I24/T U

Diagrams and graphs

Pulse diagram



Output A

Output B

0 index

[Article no longer available - archive entry](#)