

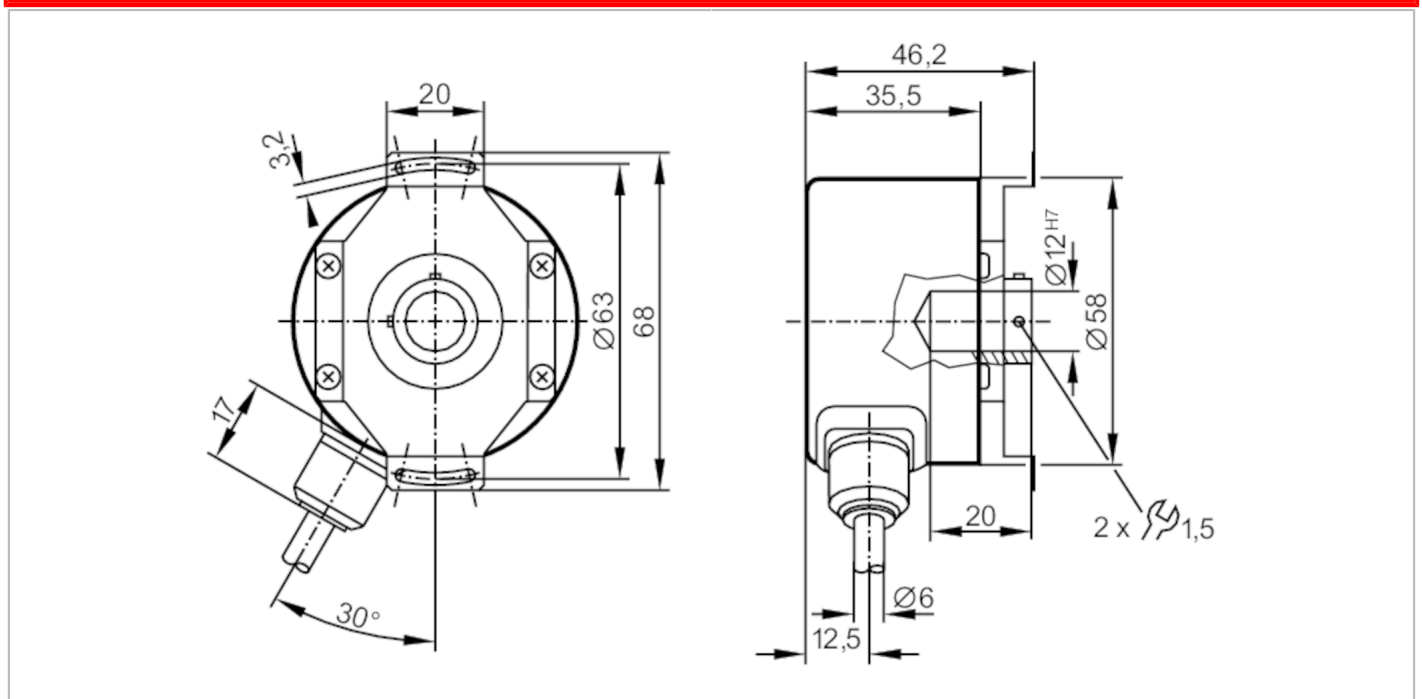
# RO1360



## Incremental encoder with hollow shaft

RO-0100-I05/N1U

Article no longer available - archive entry



### Product characteristics

Resolution	100 resolution
------------	----------------

### Electrical data

Operating voltage tolerance	[%]	10
Operating voltage	[V]	5 DC
Current consumption	[mA]	< 150

### Outputs

Electrical design	TTL	
Max. current load per output	[mA]	20
Switching frequency	[kHz]	300
Phase difference A and B	[°]	90

### Measuring/setting range

Resolution	100 resolution
------------	----------------

### Operating conditions

Ambient temperature	[°C]	-30...100
Storage temperature	[°C]	-30...100
Max. relative air humidity	[%]	98
Protection	IP 64	

### Tests / approvals

Shock resistance	100 g (6 ms)
Vibration resistance	10 g (55...2000 Hz)

# RO1360



## Incremental encoder with hollow shaft

RO-0100-I05/N1U

Mechanical data		
Dimensions	[mm]	Ø 58 / L = 35.5
Materials		aluminium
Max. revolution, mechanical	[U/min]	12000
Max. starting torque	[Nm]	2.5
Reference temperature torque	[°C]	20
Shaft design		hollow shaft open to one side
Shaft diameter	[mm]	12
Shaft fit		H7
Shaft material		stainless steel
Installation depth of shaft	[mm]	10
Max. axial shaft misalignment	[mm]	1; (max. radial shaft alignment: ± 0,05 mm)

Electrical connection	
Cable: 1 m, PUR; radial	
brown	A
green	A inverted
grey	B
pink	B inverted
red	0 index
black	0 index inverted
blue	L+ sensor
white	0V sensor
brown/green	L+ (Up)
white/green	0V (Un)
lilac	failure inverted
screen	housing

Diagrams and graphs	
Pulse diagram	<p>Output A Output B 0 index</p>

Article no longer available - archive entry