

# IN0086

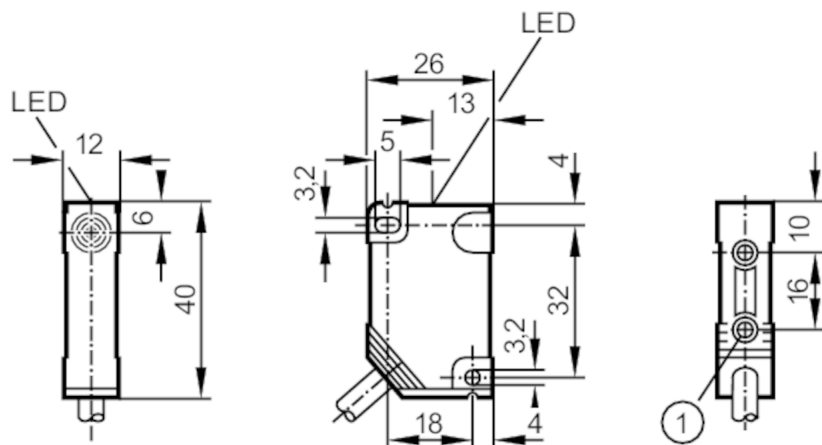


## Inductive sensor

IN-2004-BBOA/6M

Article no longer available - archive entry

Alternative article: IN0085 When selecting an alternative article and accessories please note that technical data may differ! – When selecting an alternative article and accessories please note that technical data may differ!



- 1 threaded bush M3 Depth 5.8 mm  
Tightening torque maximum 1.2 Nm screw fixing class 8.8  
when brass insert in contact with counterpart



### Product characteristics

Output function		normally closed
Sensing range	[mm]	4
Housing		rectangular
Dimensions	[mm]	40 x 12 x 26

### Electrical data

Operating voltage	[V]	20...250 AC/DC
Protection class		II
Reverse polarity protection		yes

# IN0086



## Inductive sensor

IN-2004-BBOA/6M

Outputs		
Output function		normally closed
Max. voltage drop switching output DC [V]		6
Max. voltage drop switching output AC [V]		6.7
Minimum load current [mA]		5
Max. leakage current [mA]		2.0 (250 V AC) / 1.3 (110 V AC) / 0.8 (24 V DC)
Permanent current rating of switching output AC [mA]		250; (350 (...50 °C))
Permanent current rating of switching output DC [mA]		100
Short-time current rating of switching output [mA]		2200; (50 ms / 1 Hz)
Switching frequency AC [Hz]		25
Switching frequency DC [Hz]		50
Short-circuit proof		no
Overload protection		no
Detection zone		
Sensing range [mm]		4
Real sensing range Sr [mm]		4 ± 10 %
Operating distance [mm]		0...3.25
Accuracy / deviations		
Correction factor		steel: 1 / stainless steel: 0.9 / brass: 0.6 / aluminium: 0.5 / copper: 0.4
Hysteresis [% of Sr]		1...20
Switch point drift [% of Sr]		-10...10
Operating conditions		
Ambient temperature [°C]		-25...80
Protection		IP 67
Tests / approvals		
EMC	EN 61000-4-2 ESD	4 kV CD / 8 kV AD
	EN 61000-4-3 HF radiated	3 V/m
	EN 61000-4-4 Burst	2 kV
	EN 61000-4-6 HF conducted	3 V
	EN 55011 emission	class B
MTTF [years]		609
Mechanical data		
Weight [g]		0.273
Housing		rectangular
Mounting		non-flush mountable
Dimensions [mm]		40 x 12 x 26
Materials		PBT
Displays / operating elements		
Display	switching status	1 x LED, yellow

# IN0086



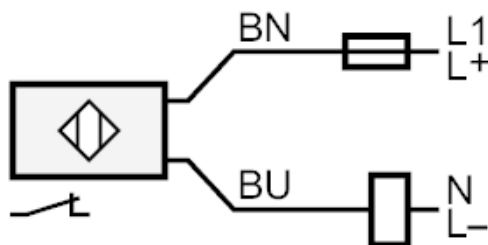
## Inductive sensor

IN-2004-BBOA/6M

Electrical connection	
Required protection	miniature fuse to IEC60127-2 sheet 1; $\leq 2$ A; fast acting
Remarks	
Remarks	Recommendation: Check the safe functioning of the unit after a short circuit.
Pack quantity	1 pcs.

Electrical connection	
Cable: 6 m, PVC; 2 x 0.5 mm <sup>2</sup>	

### Connection



Note miniature fuse to IEC60127-2 sheet 1  $\leq 2$  A fast acting

Core colours :

BN = brown

BU = blue

Article no longer available - archive entry

Alternative article: IN0085 When selecting an alternative article and accessories please note that technical data may differ! – When selecting an alternative article and accessories please note that technical data may differ!