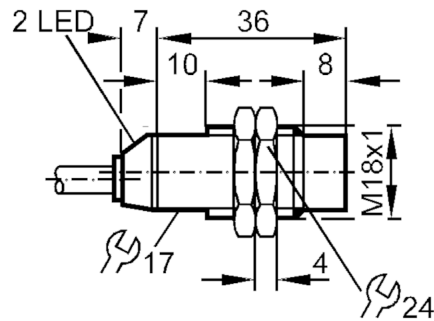




Inductive sensor

IGB2012-AROG/UP/2LED/2M/XS

Article no longer available - archive entry



Product characteristics

Electrical design		PNP/NPN
Output function		normally open
Sensing range	[mm]	12
Housing		threaded type
Dimensions	[mm]	M18 x 1

Electrical data

Operating voltage	[V]	10...36 DC
Protection class		II
Reverse polarity protection		no

Outputs

Electrical design		PNP/NPN
Output function		normally open
Max. voltage drop switching output DC	[V]	5
Minimum load current	[mA]	5
Max. leakage current	[mA]	1
Permanent current rating of switching output DC	[mA]	100
Switching frequency DC	[Hz]	100
Short-circuit protection		no
Overload protection		no

Detection zone

Sensing range	[mm]	12
Increased sensing range		yes

Operating conditions

Ambient temperature	[°C]	-25...70
Protection		IP 67

Tests / approvals

EMC	EN 60947-5-2	class B
	EN 55011	

IG5895



Inductive sensor

IGB2012-AROG/UP/2LED/2M/XS

Mechanical data	
Housing	threaded type
Mounting	non-flush mountable
Dimensions [mm]	M18 x 1
Thread designation	M18 x 1
Materials	brass white bronze coated; CO-PC

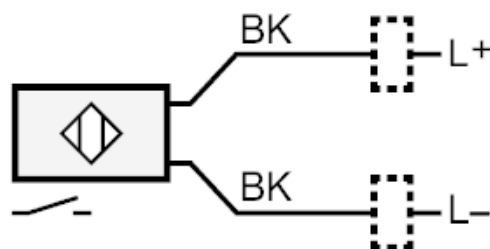
Displays / operating elements		
Display	switching status	1 x LED, red
	switching status	1 x LED, green
Optical setting aid	yes	

Accessories	
Accessories (supplied)	lock nuts: 2

Remarks	
Pack quantity	1 pcs.

Electrical connection
Cable: 2 m, PVC; suited for robots and drag chains; 2 x 0.3 mm²

Connection



Core colours :
BK = black

Article no longer available - archive entry