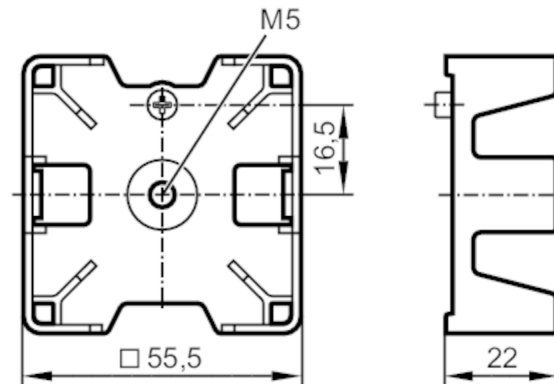


E80401



RFID tag

ID-TAG Holder



Application

Application coding of workpiece carriers in routing conveyors

Operating conditions

Ambient temperature [°C] -55...210

Storage temperature [°C] -55...210

Mechanical data

Weight [g] 25.3

Housing tag fixture for workpiece carriers

Materials PPS black

Remarks

Pack quantity 1 pcs.