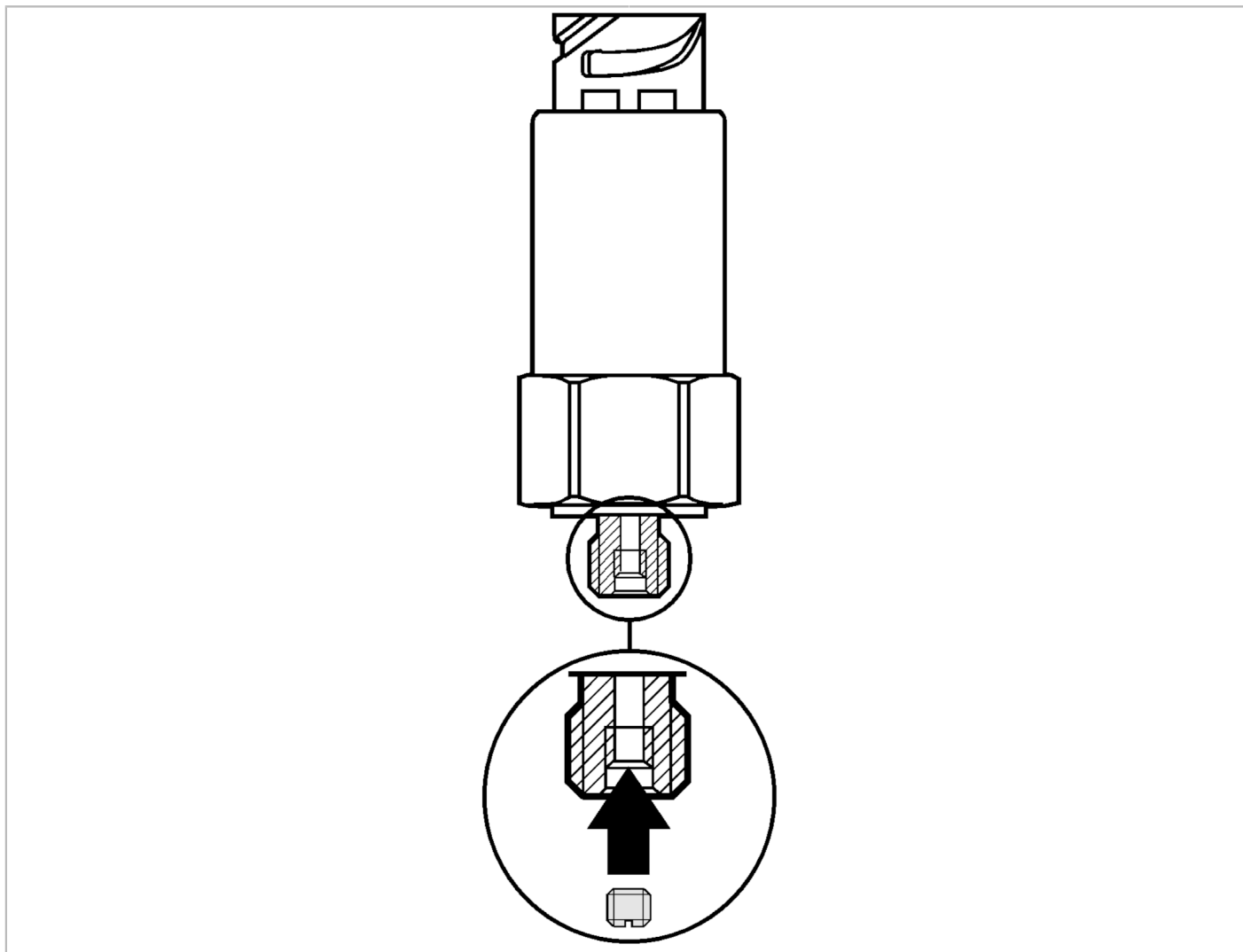


E30057



Damping screw for pressure sensors

DAMPING SCREW



Application

Design for pressure sensors with M5 internal thread

Mechanical data

Weight [g] 3.5

Remarks

Pack quantity 1 pcs.