

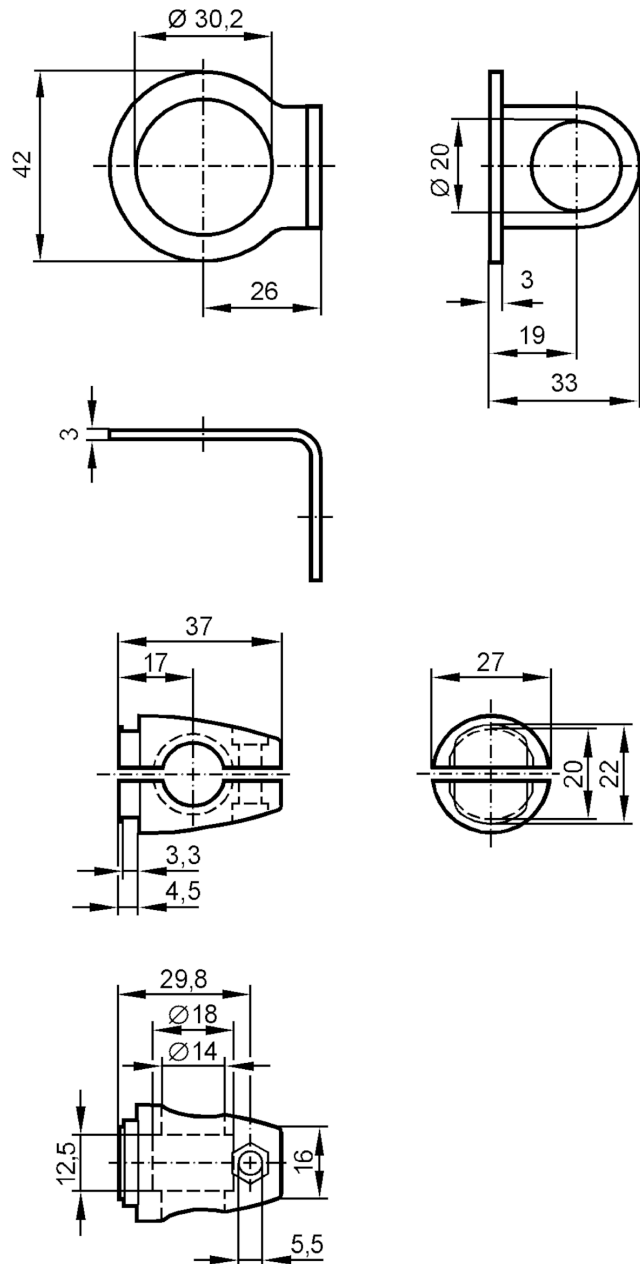
# E20962



## Mounting set for position sensors

SYSTEM COMPONENT M30 ROD

Article no longer available - archive entry



Application	
Design	clamp mounting
Mechanical data	
Type of mounting	Mounting rod; (Ø 14 mm)
Dimensions [mm]	Ø 30.2
Materials	fixture: stainless steel (1.4571/316Ti); Clamp: diecast zinc
Remarks	
Pack quantity	1 pcs.

Article no longer available - archive entry