

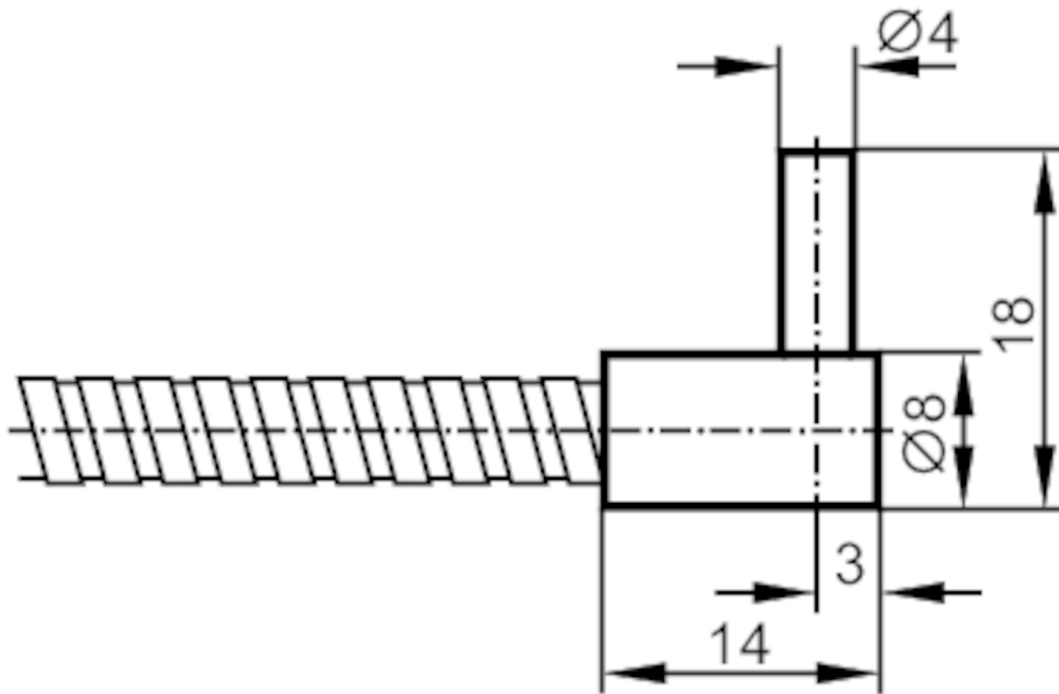
E20521



Fibre optic diffuse reflection sensor

FT-00-A-A-R4/0,22M +/-10MM

Article no longer available - archive entry



Application

Function principle Diffuse reflection sensor

Detection zone

Range with fibre optic amplifier type OKF; OUF

OKF

Range fibre optics [mm] 40

OUF

Range fibre optics [mm] 40

Operating conditions

Ambient temperature [°C] -40...290

E20521



Fibre optic diffuse reflection sensor

FT-00-A-A-R4/0,22M +/-10MM

Mechanical data	
Version of sensing head	angled
Sensing head diameter [mm]	4
Sensing head length [mm]	10
Total length [mm]	220; (-10 %)
Min. bending radius [mm]	20
Materials	Adapter: ABS
Fibre material	glass
Fibre head material	aluminium
Fibre sheath material	aluminium
Remarks	
Pack quantity	1 pcs.

Article no longer available - archive entry