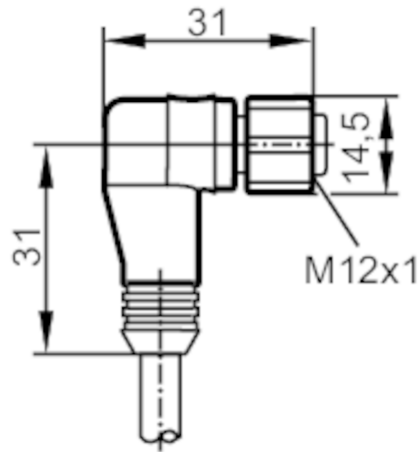


E18129



Connecting cable with socket

ADOAH040VAS0060E04



Electrical data

Operating voltage [V] < 300 AC/DC

Operating conditions

Ambient temperature [°C] -20...105

Protection IP 68

Mechanical data

Weight [g] 2100.131

Dimensions [mm] 31 x 14.5 x 31

Materials PVC

Material nut stainless steel (1.4571/316Ti)

Remarks

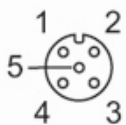
Pack quantity 1 pcs.

Electrical connection

Cable: 60 m, PVC, grey; 4 x 0.34 mm² / AWG 22

Electrical connection - socket

Connector: 1 x M12, angled; Moulded body: PVC; Locking: stainless steel (1.4571/316Ti); Contacts: gold-plated



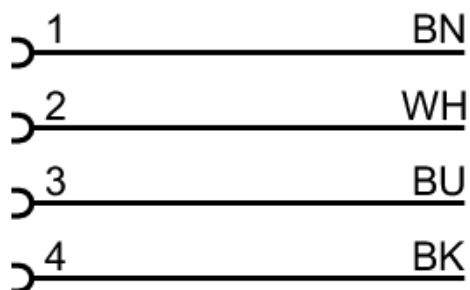
E18129



Connecting cable with socket

ADOAH040VAS0060E04

Connection



5: not used

Core colours :

BK = black
BN = brown
BU = blue
WH = white