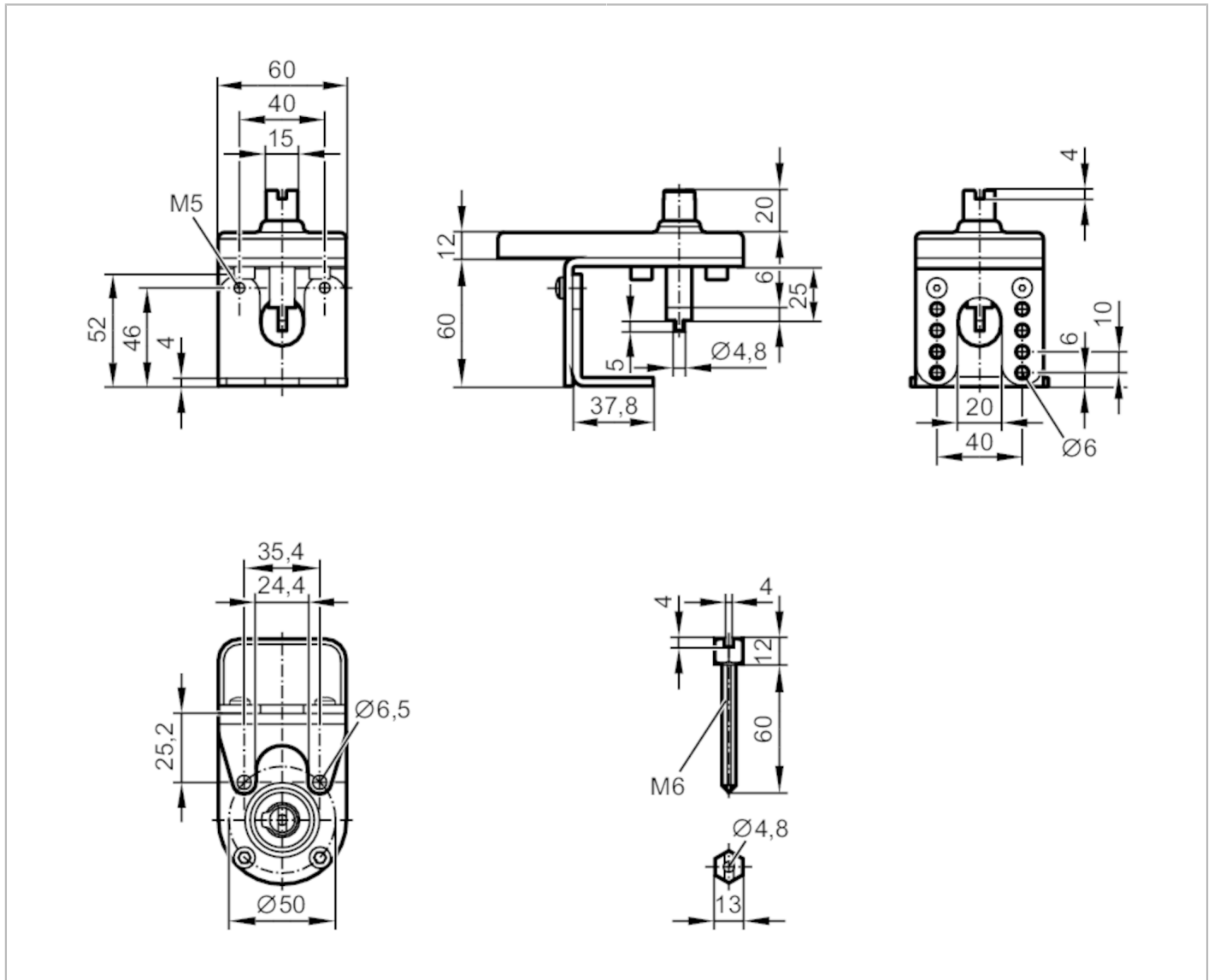


E12521



Mounting set for manual valves and ball valves

MOUNTING KIT FOR MANUAL VALVES F05/M6



Operating conditions

Ambient temperature [°C] -30...80

Mechanical data

Weight [g] 477.5

Top flange diameter [mm] 50

ISO top flange type F05

Shaft extension M6

Materials Mounting plate: plastics; metal parts: stainless steel (1.4301 / 304)

Remarks

Pack quantity 1 pcs.