

DN0512

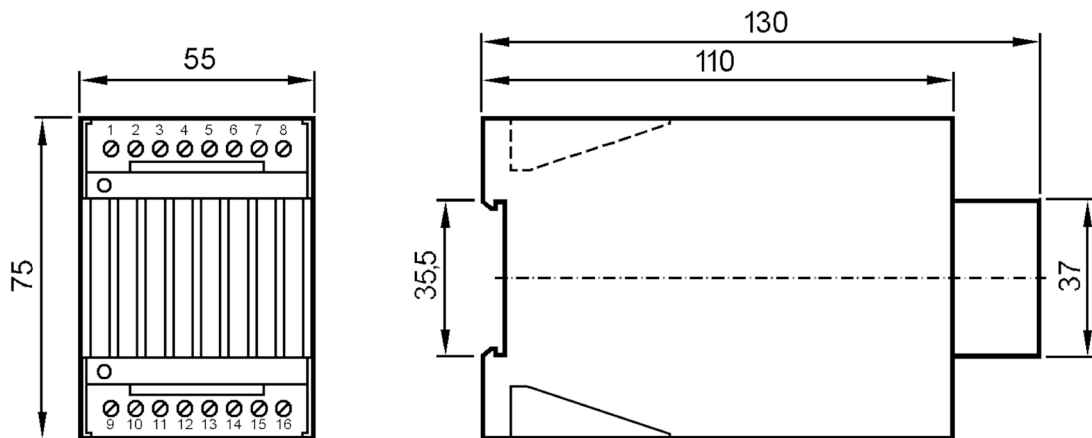


Switching amplifier

N605/110VAC/0,8A

Article no longer available - archive entry

Alternative article: DN1020 When selecting an alternative article and accessories please note that technical data may differ! – When selecting an alternative article and accessories please note that technical data may differ!



Electrical data		
Nominal frequency AC	[Hz]	47...63
Output voltage	[V]	set
Output voltage tolerance	[%]	5
Max. output current at min. output voltage	[A]	0.8
Number of output circuits		1
Outputs		
Short-circuit protection		yes
Overload protection		yes
Operating conditions		
Ambient temperature	[°C]	0...50
Protection		IP 40
Mechanical data		
Materials		plastics
Displays / operating elements		
Display	Output voltage	2 x LED, green
Remarks		
Pack quantity		1 pcs.

DN0512



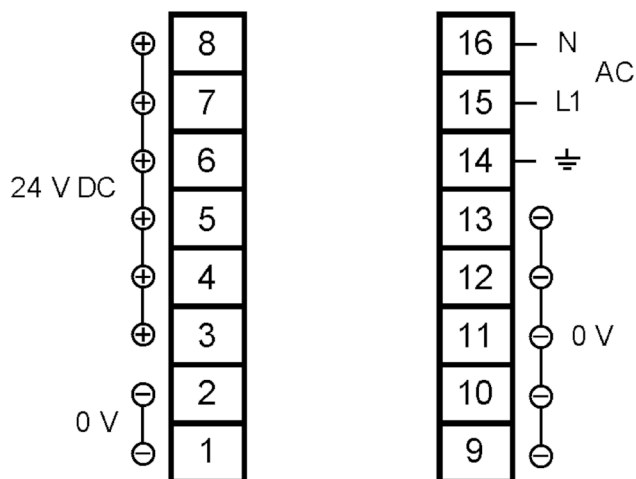
Switching amplifier

N605/110VAC/0,8A

Electrical connection

terminals: ...4 mm²

Connection



Article no longer available - archive entry

Alternative article: DN1020 When selecting an alternative article and accessories please note that technical data may differ! – When selecting an alternative article and accessories please note that technical data may differ!