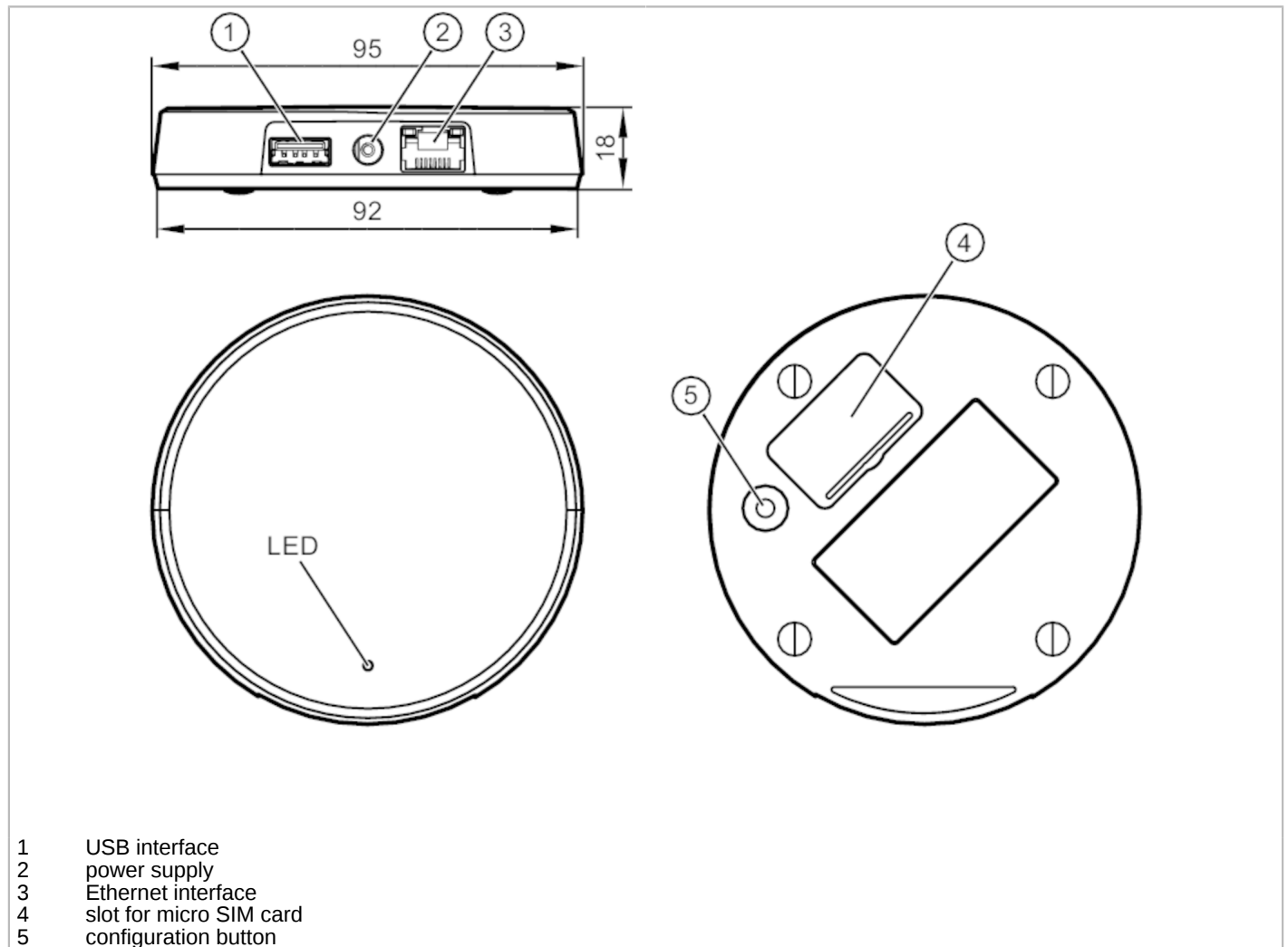


ZB0929



Gateway for wireless vibration sensors

VIBRATION WIRELESS GATEWAY IP20



- 1 USB interface
- 2 power supply
- 3 Ethernet interface
- 4 slot for micro SIM card
- 5 configuration button



Application	
Radio approval for	USA; Canada; EU/RED; Australia; Brazil
Note on radio approval	The list of countries applying the European Radio Equipment Directive 2014/53/EU (RED) can be found under "Downloads".
Electrical data	
Operating voltage [V]	3.6 DC; (lithium thionyl chloride battery lithium thionyl chloride battery; battery life > 4 years; (depending on environmental conditions & settings); battery cannot be replaced)
Current consumption [mA]	< 200
Protection class	III
Software / programming	
Parameter setting options	MQTT; ifm IoTcore
Interfaces	
Communication interface	WLAN; Mobile networks; Ethernet
Ethernet	
Connector type	RJ45
Protocol	TCP/IP

ZB0929



Gateway for wireless vibration sensors

VIBRATION WIRELESS GATEWAY IP20

Usage type	data transmission	
ISM		
Frequency band	2,4 GHz	
Safety standard	AES-128	
Protocol	proprietary	
Usage type	sensor connection	
Note on interfaces	number of maximum connections of sensors: 30	
Mobile networks		
Transmission standard	2G quadband GSM; LTE Cat-M1; NarrowBand-IoT	
Usage type	data transmission	
USB		
Connector type	USB A	
Usage type	firmware update	
WLAN		
Frequency band	2,4 GHz	
Safety standard	WPA2	
Usage type	data transmission	
Operating conditions		
Ambient temperature	[°C]	0...50
Storage temperature	[°C]	-40...85
Protection	IP 20	
Tests / approvals		
EMC	DIN EN 301489-1	
	DIN EN 301489-17	
	DIN EN 301489-52	
Mechanical data		
Weight	[g]	423
Dimensions	[mm]	Ø 95
Materials	PA; ABS	
Displays / operating elements		
Display	status	1 x LED
Accessories		
Items supplied	Mounting accessories, for wall mounting Power supply	
Remarks		
Remarks	no SIM card supplied	
Pack quantity	1 pcs.	